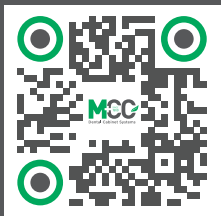




TWENTY  
**24**

PRICE CATALOG



**MCC**  
SINCE 1969

Dental Cabinet Systems

1-800-388-6236 | [mccdental.com](http://mccdental.com)

**TAILORED SOLUTIONS FOR YOUR DENTAL PRACTICE**

# TAILORED SOLUTIONS FOR YOUR DENTAL PRACTICE



With over 50 years of experience behind us, we at MCC pride ourselves in being a leading manufacturer of Tailored and Custom Dental Cabinets. Our dedication and longevity are integrated in the quality and design of our Dental Cabinets.

This enables us to help you build a Total Work Environment that works for you and your new, or preexisting practice. We offer a wide range of Tailored and custom cabinet solutions that best suit your practice needs whether it be Orthodontics, Pediatric Dentistry, Oral Surgery or Endodontics.

We use the highest quality materials available, some imported directly from Italy. We have customers from 35 years ago who still have cabinets they bought at that time. In some ways, it's no different than anything else. Customers who are good at keeping their workspaces clean and dry will have a long life for their furniture. ”

*Giovanni Lucciani*



Circa 1985



ASEPTX® 2023



## HEAD OFFICE:

10721 Keele Street North,  
Maple, Ontario L6A 1S5  
Customer Service **800.388.6236**  
Fax **905.832.0732**  
Website **www.mccdental.com**  
Email **info@mccdental.com**

## CABINET ORDERS

All orders must be placed through an authorized MCC dealer. Minimum retail order is \$60.00. Orders must be submitted with a sketch and floor plan. Orders received will be acknowledged within 72 hours. Please contact our Customer Service Department immediately if your order acknowledgment is not received within this time frame. Order acknowledgments and sketches must be signed by the dealer and returned to MCC within 5 business days. All orders are quoted in retail pricing except for freight, installation/delivery and special color charges, which are quoted at dealer cost. MCC reserves the right to change cabinet designs without notice.

## PLACING AN ORDER (email to: [orders@mccdental.com](mailto:orders@mccdental.com))

When placing a cabinet order, the following must appear on your purchase order:

- Model, Part, Sketch and/or Quote Number
- Date Required and/or Install Date
- Order Date
- Shipping Instructions
- Contact Person and Number
- Signature of Purchaser
- Purchase Order Number
- Cabinet, Countertop and Edging Color
- Accessories and/or Options
- Quantity

## NON STANDARD COLORS

All non-standard color cabinet and countertop orders will incur an upcharge. Add 2-3 weeks to standard lead times for non-standard color cabinet and/or countertop orders.

## CHANGES / MODIFICATIONS

Any major changes and/or modifications made to the original design and/or color of cabinet and/or countertop while in production will incur a 30% recovery fee. This fee recovers work in progress. Changes and/or modifications must be submitted to MCC in writing. Upon review and approval of the changes, the order's shipping and installation dates could shift depending on the degree of changes.

## CANCELLATIONS

Orders cancelled within two weeks of the order date will incur a 40% cancellation fee. This fee recovers material cutting, production time and labor costs. Cancellations must be submitted to MCC in writing. Custom color orders may not be cancelled.

## DELAYED / RESCHEDULED SHIP DATES

Orders which are requested to be rescheduled will be moved to the next available ship date. Orders which are requested to be rescheduled or have delayed shipping, post production, will incur local storage and handling fees until shipped.

TAILORED SOLUTIONS FOR YOUR DENTAL PRACTICE

COLLECTION/CATEGORY	MODEL	PAGE
<b>15-Year Warranty</b>		<b>5</b>
<b>Our Collections' Features</b>		<b>6</b>
<b>ASEPTX® Sterilization Centers</b>	AXST10, AXST11, AXST12	<b>7-8</b>
<b>Clean Prep Station</b>	CONFIGURATIONS, FEATURES & OPTIONS	<b>9-10</b>
<b>SIGNATURE COLLECTION</b>		<b>11-16</b>
<b>Signature - Rears</b>	CONFIGURATIONS, FEATURES & OPTIONS	<b>12-13</b>
<b>Signature - Sides</b>	CONFIGURATIONS, FEATURES & OPTIONS	<b>14-15</b>
<b>Cabinetry Options</b>		<b>16</b>
<b>Custom Cabinets</b>	CUSTOM CONFIGURATIONS	<b>17-20</b>
<b>Ortho Systems</b>	MFO2421, MFO2428C	<b>21-22</b>
<b>Mobile Carts</b>	PROMOTIONAL SERIES 1000	<b>23-25</b> <b>26-27</b>
<b>MCC Featured Color</b>		<b>28</b>
<b>Pediatric</b>	PB1000, PB2000	<b>29-30</b>
<b>VistaClear/VistaPure</b>	VISTA CLEAR CABINET	<b>31</b>
<b>Accessories - Handles</b>	HANDLES	<b>32</b>
<b>Accessories - Delivery Systems</b>	MCT500PM, MCT520PM, MCT600PK, VACUUM PACKAGES	<b>33-34</b>
<b>Accessories - Plumbing</b>	PLUMBING	<b>35-36</b>
<b>Accessories - Waste</b>	WASTE & SHARPS	<b>37</b>
<b>Why Choose MCC Dental</b>		<b>38-40</b>
<b>MCC vs. Local Contractor Compare</b>		<b>41</b>
<b>Photo Gallery</b>		<b>42-47</b>
<b>Terms and Conditions/Warranty</b>		<b>48-49</b>



# WE HAVE YOU COVERED

At MCC Dental we stand behind our products with a Fifteen (15) Year casework warranty. We want every MCC Dental customer to be satisfied and covered for a long time because, with more than 50 years in the business, we believe that our cabinets are built to last, with a craftsmanship and passion that distinguish us from our competitors. Whether it's modular, custom construction, sterilization or mobile cabinetry, our philosophy is always to design and deliver the absolute best and durable cabinets for your dental office.

*See page 48-49 for details.*



# OUR COLLECTIONS' FEATURES

COMPONENTS	ASEPTX®	SIGNATURE
<b>Cabinets Subbase</b>	<ul style="list-style-type: none"> <li>• 6" - High Density Polymer (HDPE)</li> <li>• Integrated leveling feet</li> <li>• Mounting hardware provided for wood and concrete floor anchoring</li> <li>• Top down utility access</li> </ul>	<ul style="list-style-type: none"> <li>• 6" - High Density Polymer (HDPE)</li> <li>• Integrated leveling feet</li> <li>• Mounting hardware provided for wood and concrete floor anchoring</li> <li>• Top down utility access</li> </ul>
<b>Casework (internal)</b>	<ul style="list-style-type: none"> <li>• High Density Polymer</li> <li>• Finished High Density Polymer</li> </ul>	<ul style="list-style-type: none"> <li>• Industrial grade particleboard (45-50+ lb./ 20-22 kg density)</li> <li>• 1 mm edgeband color matched to outer casework</li> <li>• White melamine covering</li> <li>• 100% Recycled board</li> <li>• Sterilization towers High Density Polymer</li> </ul>
<b>Outerheads (external)</b>	<ul style="list-style-type: none"> <li>• High Density Polymer</li> <li>• Finished High Density Polymer Edges</li> </ul>	<ul style="list-style-type: none"> <li>• Industrial grade particleboard (45+ lb./ 20+ kg)</li> <li>• 1 mm color- and pattern-matched edgebanding</li> <li>• High-pressure decorative laminate</li> </ul>
<b>Drawers</b>	<ul style="list-style-type: none"> <li>• Smooth soft-close</li> <li>• Adjustable/removable fronts</li> </ul>	<ul style="list-style-type: none"> <li>• Smooth soft-close</li> <li>• Adjustable/removable fronts</li> </ul>
<b>Shelves</b>	<ul style="list-style-type: none"> <li>• Adjustable High Density Polymer shelves</li> <li>• Pull out autoclave shelves holds up to 200 lbs.</li> </ul>	<ul style="list-style-type: none"> <li>• Adjustable glass and wood shelves</li> <li>• glass shelves upper</li> </ul>
<b>Doors Hardware</b>	<ul style="list-style-type: none"> <li>• Optimal 5" antimicrobial handle</li> </ul>	<ul style="list-style-type: none"> <li>• Choice of 5 brushed metal handles</li> </ul>
<b>Countertops</b>	<ul style="list-style-type: none"> <li>• Fastened in place (removable)</li> </ul>	<ul style="list-style-type: none"> <li>• Fastened in place (removable)</li> </ul>
<b>Task Lighting</b>	<ul style="list-style-type: none"> <li>• Custom MCC LED lights with switch/transformer</li> </ul>	<ul style="list-style-type: none"> <li>• Custom MCC LED lights with switch/transformer</li> </ul>
<b>Electrical</b>	<ul style="list-style-type: none"> <li>• Custom MCC Medical Grade electrical outlet</li> </ul>	<ul style="list-style-type: none"> <li>• Custom MCC Medical Grade electrical outlet, USB port</li> </ul>
<b>Warranty</b>	<ul style="list-style-type: none"> <li>• 15-Year Warranty</li> </ul>	<ul style="list-style-type: none"> <li>• 15-Year Warranty</li> </ul>

TAILORED SOLUTIONS FOR YOUR DENTAL PRACTICE

# ASEPTX<sup>®</sup> STERILIZATION

New advancements in antimicrobial materials, combined with our industry leading design, make our Aseptx<sup>®</sup> Sterilization centers the most advanced units on the market.



\* Note: This product does not protect users or others from disease-causing bacteria. Always clean this product thoroughly after use.



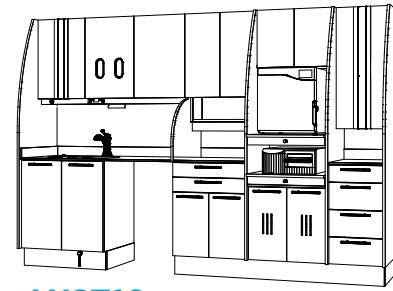
For more information, contact MCC at 1-800-388-6236 or visit [www.mcc dental.com](http://www.mcc dental.com)

# ASEPTX® STERILIZATION CENTER

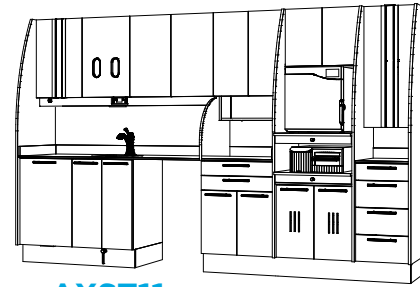
## ASEPTX® STERILIZATION CENTER

### ASEPTX STANDARD FEATURES

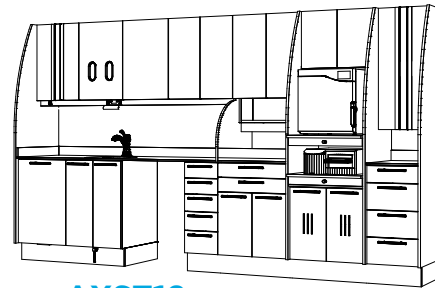
- Standard solid surface countertop
- No seam construction, impervious to water
- 99% Antimicrobial performance
- Stain-Resistant
- Scratch-Resistant
- UV stable
- Under mounted stainless steel sink
- Hardware and plumbing fixtures included
- Foot activated waste drawer
- Soft-close drawers & doors
- 1/4" finished back
- Solid Surface pullout autoclave shelves holds up to 200 lbs.



**AXST10**



**AXST11**



**AXST12**

### ASEPTX STERILIZATION CENTER PRICING

Cabinet	Solid Surface	Retail
AXST10		\$31,869.00
AXST11		\$32,730.00
AXST12		\$33,591.00

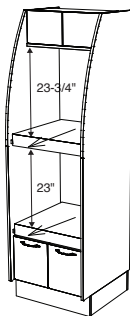
### OPTIONS

Optional Accessories	Part Number	Retail	Select
High Volume Evacuator (HVE) Sink Side with Countertop Holder	MCHVE1	\$210.00	<input type="checkbox"/>
Tapmaster Hands Free Water Activation System	MP1775	Included	<input type="checkbox"/>
Clean and Dirty (Blue/Red) Indicator Lights	MPSLBH/MPSLRH	Included	<input type="checkbox"/>
LED Task Lighting - 45"	MPTL45H	Included	<input type="checkbox"/>
Storage Cabinet in Lieu of Washer Opening	LS12425S	\$1,164.00	<input type="checkbox"/>
Recessed Digital Clock/Timer	MP14R	\$269.00	<input type="checkbox"/>

*Reverse Configuration Available. Please specify*

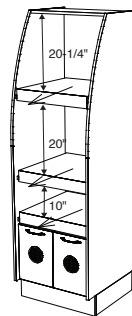
#### TWR1

Holds 2 Small Hydrim Units. Solid surface pull-outs. Height 83". \$5,299.00



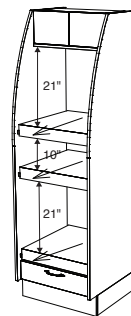
#### TWR2

Holds 2 Sterilizers 1 Statim. Solid surface pull-outs. Height 83". \$5,803.00



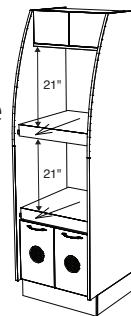
#### TWR3

Holds 2 Sterilizers 1 Statim. Solid surface pull-outs. Height 83". \$5,803.00



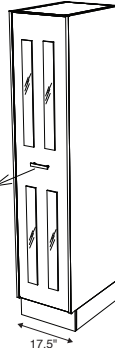
#### TWR4

Holds 2 Sterilizers. Solid surface pull-outs. Height 83". \$5,299.00



#### P5000MX

Manual pull-out pantry for Aseptx. Height 83". \$6,817.00





# CLEAN PREP STATION

Personally Customized to prep Tubs and Trays for patients. Can be colour coded for multiple providers and procedures. Bins can be easily removed for restocking of materials. The lower drawers allow to organize bins and materials for every Dental procedure. *We can customize it to fit every practice's need for space, 16" deep to whatever size is needed.*

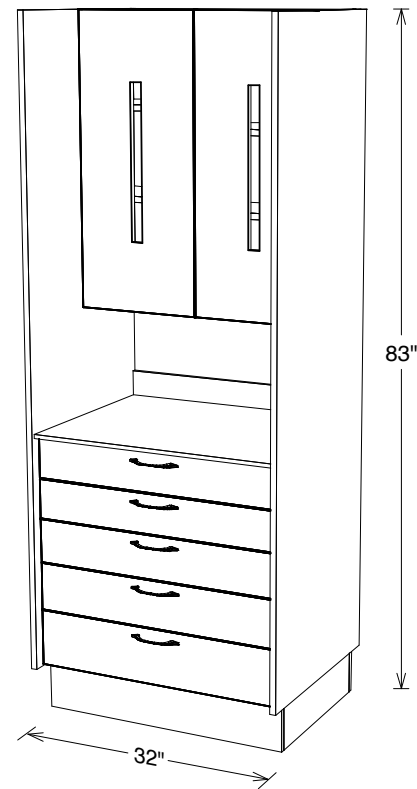


CLEAN PREP STATION

CLEAN PREP STATION

KEY FEATURES

- Personally Customized to prep your Tubs and Trays for you patients. Can be colour coded for multiple providers and procedures.
- Bins can be easily removed for restocking of materials.
- Clear plastic bins allow you to effectively keep your items organized and stock in order.
- The key to organization in your dental practice.
- Lower drawers allow for you to organize bins and materials for every Dental procedure.
- We can customize it to fit your practice's need for space, 16" deep to whatever size is needed.



CLEAN PREP STATION PRICING

Cabinet	Solid Surface	Retail
MCCPrepStation		\$8,491.00

OPTIONS

Optional Accessories	Part Number	Retail	Select
Large Bin with Lid	UCBLBWL	\$84.00 each	<input type="checkbox"/>
Small Bin with Lid & Z clip	UCBSBWL	\$63.00 each	<input type="checkbox"/>
Tip Out 5 Bin Rack	UCBT05BR	\$149.00 each	<input type="checkbox"/>
Ultra Clear Bins (12 small bins, 4 Large Bins, 1 tip out 5 bin rack)	UCB	\$1,241.00	<input type="checkbox"/>
LED Task Lighting - 24"	MPTL24H	\$287.00	<input type="checkbox"/>
Clean Blue Indicator Lights	MPSLBH	\$499.00	<input type="checkbox"/>



Available in custom optional sizes built for your Practice.



For more information, contact MCC at 1-800-388-6236 or visit [www.mccdental.com](http://www.mccdental.com)

# SIGNATURE COLLECTION



Free Standing  
Rear Cabinet

**MCC's new Signature Collection Rear and Side is a celebration of craftsmanship, quality and design efficiency.**

The Signature Collection embraces the best of the Classics line – supreme functionality, solidity and remarkable design but takes things one step further with a new generosity in storage space.

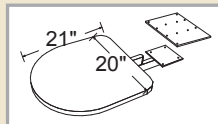
There are 4 models with the same upper and mid modules and 4 different configurations for the base.



## SIGNATURE REARS

### KEY FEATURES

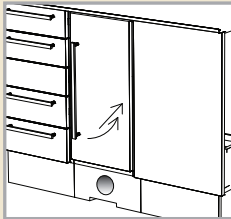
- Lift up door system for easy access to cassettes and CPU
- Valance with LED Task Lighting and panel mounted On/Off switch and recessed Digital Timer/Clock
- Flip down upper door with glove dispensers and storage for additional glove boxes
- Midsection includes; Medical grade Electrical outlets and glass shelf
- Midsection Side access storage for compact CPU
- Brushed Nickel Bar Pulls
- Soft Close Full Extension Drawers
- Water resistant polymer subbase with levelling legs
- Quartz countertop or Solid Surface with 1-1/4" build up
- MCCPN502 Sliding Monitor Mount
- Work Surface included



21" X 20" Work Surface  
0023 806 Arm Assembly  
0010 086 11" X 14 1/2" Black Plate

### OPTIONS

Full height door for under cabinet control (Control not included)



MCCPN182 - Over cabinet Monitor Mount with Handle - \$3,779.00



### SR44A Options for Doctor and Assistant's package



MC2184BS  
Under Surface 3HP Automatic Control with Vacuum Package and Clean Water, 2 HVE, 1 SE, \$4,719.00

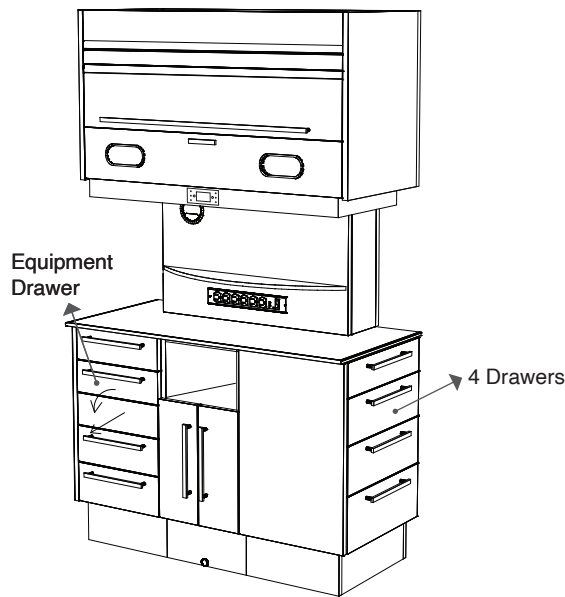


MC1284 - Assistant's Central Vacuum Under Surface Package with Rotating Mount, 2 HVE, 1 SE, Clean Water & Air Only Shutoff & Regulator \$2,689.00

#### Doctor's Control Options

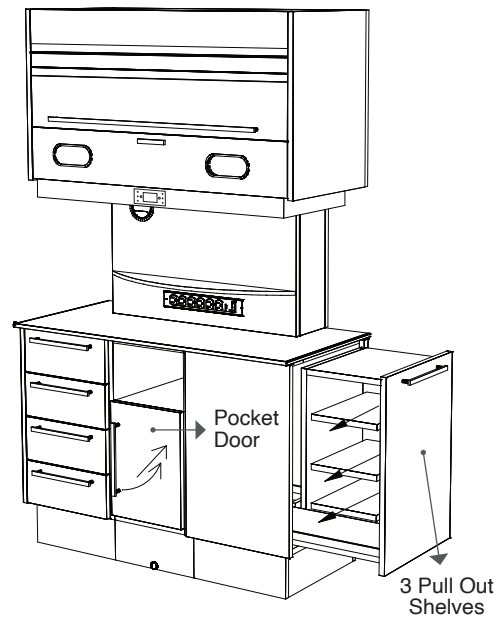
MC1HPFO	Fiber Optic for 1 HP	\$1,305.00
MC1HPFO-6	6-Pin Fiber Optic for 1 HP	\$1,305.00
MC2HPFO	Fiber Optic for 2 HP	\$1,569.00
MC2HPFO-6	6-Pin Fiber Optic System for 2 HP	\$1,569.00

# SIGNATURE COLLECTION - REAR CABINETRY



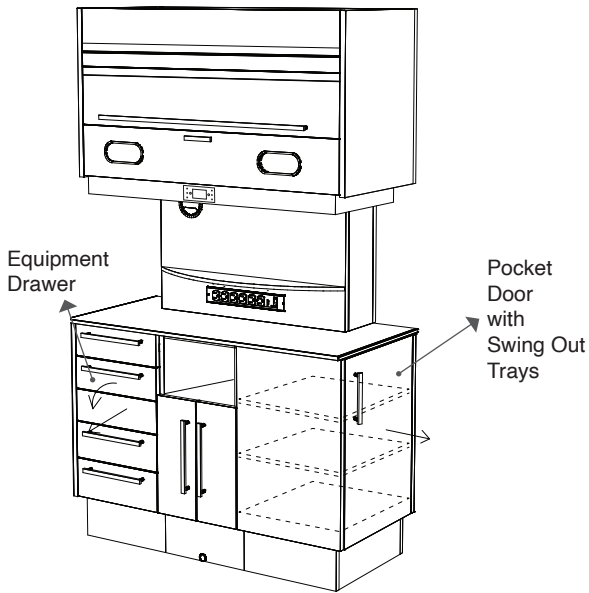
**SR44A SIGNATURE REAR PRICING**

Cabinet	Solid Surface Top	Retail
SR44A		\$14,242.00



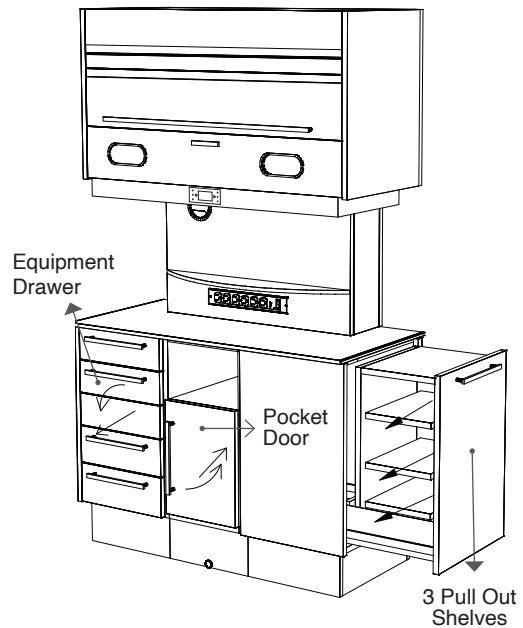
**SR44F SIGNATURE REAR PRICING**

Cabinet	Solid Surface Top	Retail
SR44F		\$14,004.00



**SR44M SIGNATURE REAR PRICING**

Cabinet	Solid Surface Top	Retail
SR44M		\$14,992.00



**SR44V SIGNATURE REAR PRICING**

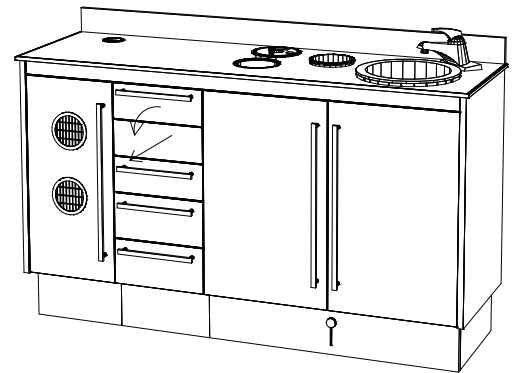
Cabinet	Solid Surface Top	Retail
SR44V		\$14,004.00

All Signature Rear Cabinets shown above are Wall Mounted models.

## SIGNATURE COLLECTION - SIDE CABINETRY

**S100****KEY FEATURES**

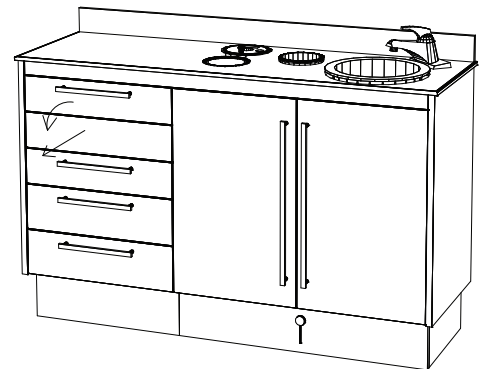
- Quartz countertop or Solid Surface with 1-1/4" build up
- Undermounted stainless steel sink
- PVC edging
- MCC's new modern design
- Vented CPU storage
- Integrated receptacles for sharps, waste and bio waste
- Hardware and plumbing fixtures included
- Tapmaster hands free water activation
- Brushed nickel bar pulls
- Soft close drawers and doors
- Water resistant Polymer Base with levelling legs

*Reverse Configuration available - S100R***S100 SIGNATURE SIDE CABINET PRICING**

Cabinet	Solid Surface Top	Retail
S100		\$9,704.00

**S400****KEY FEATURES**

- Quartz countertop or Solid Surface with 1-1/4" build up
- Undermounted stainless steel sink
- PVC edging
- MCC's new modern design
- Integrated receptacles for sharps, waste and bio waste
- Hardware and plumbing fixtures included
- Tapmaster hands free water activation
- Brushed nickel bar pulls
- Soft close drawers and doors
- Water resistant Polymer Base with levelling legs

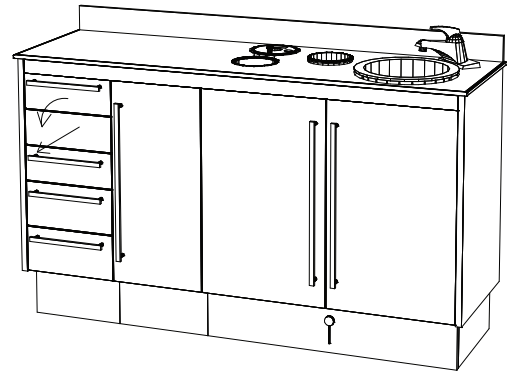
*Reverse Configuration available - S400R***S400 SIGNATURE SIDE CABINET PRICING**

Cabinet	Solid Surface Top	Retail
S400		\$8,682.00

**S420**

**KEY FEATURES**

- Quartz countertop or Solid Surface with 1-1/4" build up
- Undermounted stainless steel sink
- PVC edging
- MCC's new modern design
- Integrated receptacles for sharps, waste and bio waste
- Hardware and plumbing fixtures included
- Tapmaster hands free water activation
- Brushed nickel bar pulls
- Soft close drawers and doors
- Water resistant Polymer Base with levelling legs



Reverse Configuration available - S420R

**S420 SIGNATURE SIDE CABINET PRICING**

Cabinet	Solid Surface Top	Retail
S420		\$8,682.00

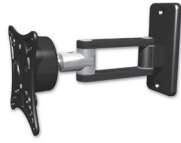
**OPTIONS**

Optional Accessories	Part Number	Retail	Select
Soap Dispenser	MP3M	\$176.00	<input type="checkbox"/>

## TAILORED COLLECTION - REAR CABINETSRY OPTIONS

## OPTION REFERENCE GUIDE

## Monitor Mounts



MCGX270  
Pivoting Monitor  
Mount  
\$449.00



MCCPN502  
Sliding Monitor Mount  
\$1,141.00



MCCPN182 - Over  
cabinet Monitor  
Mount with Handle  
\$3,779.00

## Clean Water System



MCSCWM1  
Self Contained (Wall Mounted)  
Clean Water System  
\$407.00

## Doctor's Controls

MC2184BS  
Under Surface 3HP Automatic  
Control with Vacuum Package  
and Clean Water, 2 HVE, 1 SE,  
\$4,719.00



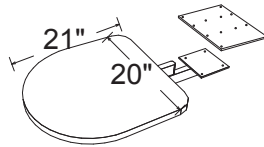
MCRVK1 Routing Valve Kit with  
Water Shutoff & Regulator \$387.00

MC2184VM  
Under Surface 3HP Automatic  
Control with Vacuum Package  
and Clean Water, 2 HVE, 1 SE,  
with Panel Mount Control Head  
\$5,974.00



## ARM ASSEMBLY

MDLAASS  
Arm Assembly with top  
11" X 14" Mounting Plate  
Solid Surface  
\$2,445.00



## Additional Options for Panel Mount Control

MCIHPFO	Fiber Optic for 1 HP	\$1,305.00
MCIHPFO-6	6-Pin Fiber Optic for 1 HP	\$1,305.00
MC2HPFO	Fiber Optic for 2 HP	\$1,569.00
MC2HPFO-6	6-Pin Fiber Optic System for 2 HP	\$1,569.00

## Assistant's Packages



MCHSVK3  
Assistant's Vacuum Package  
2 HVE, 1 SE, with Quad-Bar,  
3 way syringe and block  
\$936.00



MCUTLV  
Vacuum Utilities  
Option, Air and  
Water Regulator  
with Shutoffs  
\$525.00



MC1284  
Assistant's Central Vacuum Under  
Surface Package with Rotating  
Mount, 2 HVE, 1 SE, Clean Water  
& Air Only Shutoff & Regulator  
\$2,689.00

MCRVK1 Routing Valve Kit with Water Shutoff & Regulator \$387.00

## Misc Options



MPTL24LH  
Task Light 24" LED  
\$287.00



MBIIS  
Sharps Container  
1.5Qt  
\$263.00



MP13GFIKT  
GFI Duplex  
Outlet with  
BX Wire & Box  
\$324.00



MP1775  
Tapmaster Hands  
Free Water  
Activation System  
\$821.00



FAQD38  
3/8" Female Air  
Quick Disconnect  
1/4" Female Water  
Quick Disconnect  
\$297.00



MCIHVE  
Additional Universal  
Autoclavable HVE  
Position with Tubing  
\$133.00



MP13MG  
Medical Grade  
Power Bar  
\$359.00



TAILORED SOLUTIONS FOR YOUR DENTAL PRACTICE

# M2M CUSTOM BUILD CABINETS



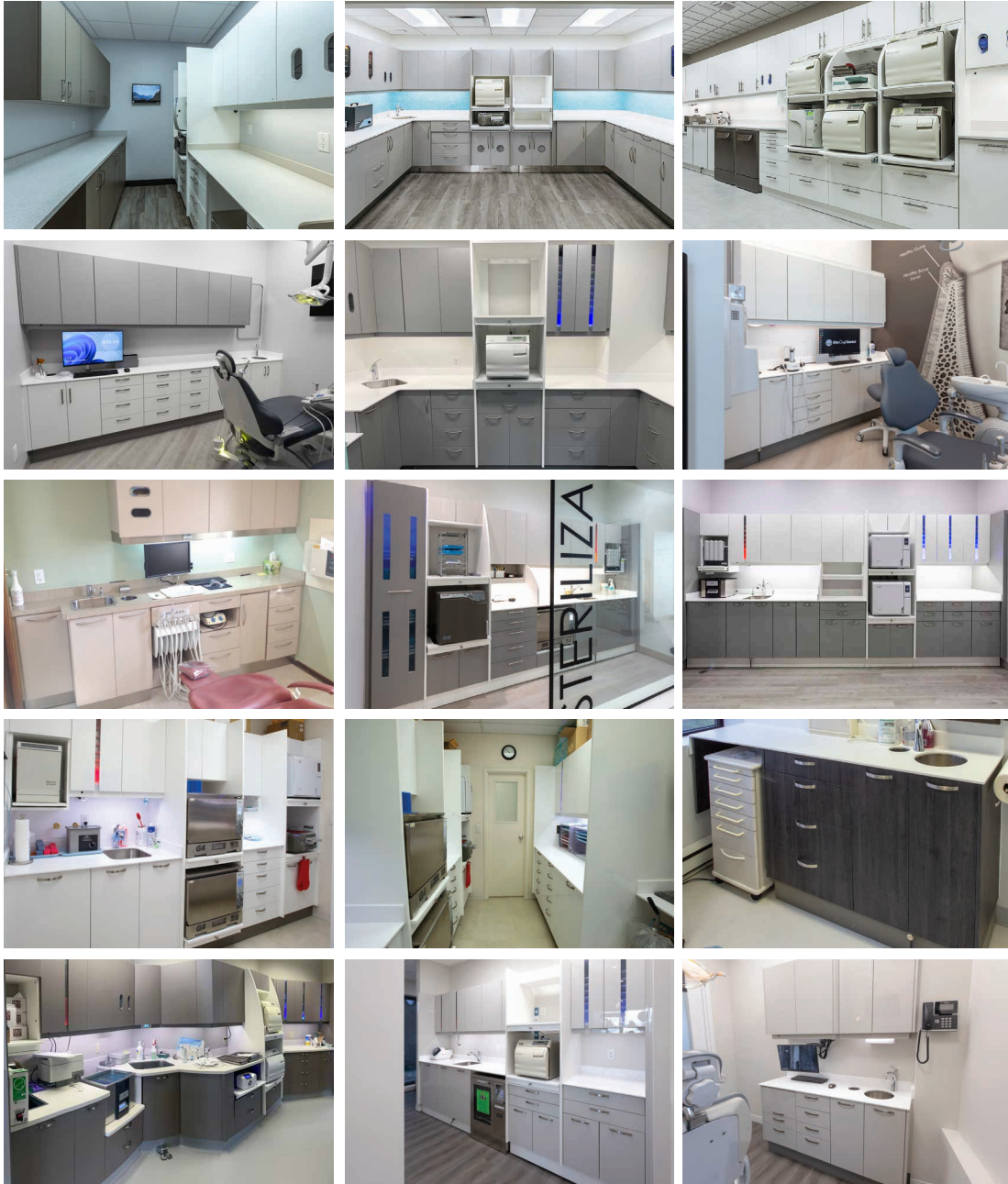
For more information, contact MCC at 1-800-388-6236 or visit [www.mccdental.com](http://www.mccdental.com)

M2M CUSTOM CABINETS

No two offices are alike.

That's why it's important for practices to choose their **custom cabinets** to match his or her unique workflow and space. **Custom cabinets** are a cost-effective way to guarantee the perfect solution for having all the instruments and equipment close at hand and in just the right place.

At MCC, we strive to maximize the functionality of our **custom cabinets**, according to your needs and requirements. Our **custom cabinets** are professionally designed by CDC & IPAC standards.

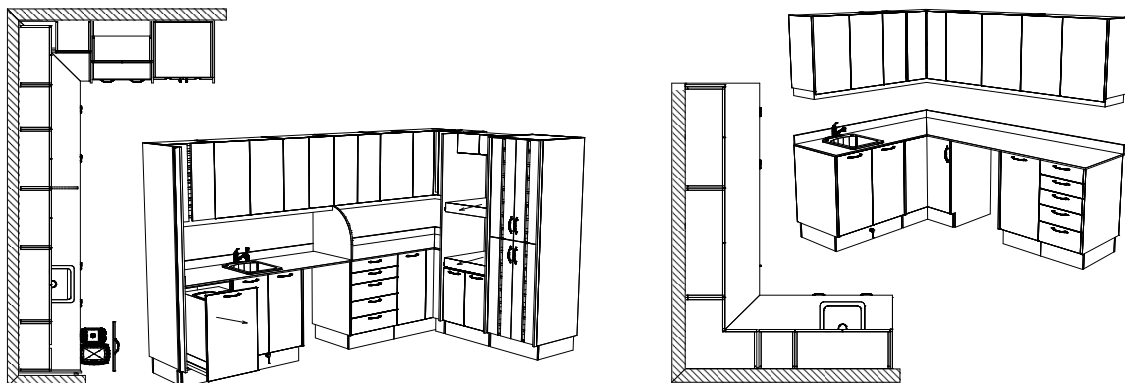


## Custom U-shaped Sterilization Centers

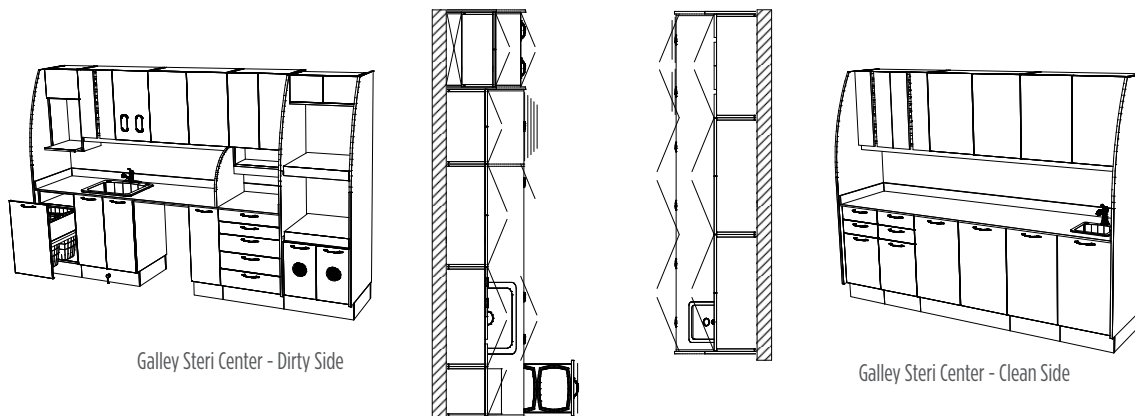
When space in a dental practice is limited, U-shaped and L-shaped sterilization centers are the perfect solution; they enable the designing and configuration of the cabinetry to align with the workflow of your space and needs. Our designs follow CDC/IPAC standards guidelines.



## Custom L-shaped Sterilization Centers



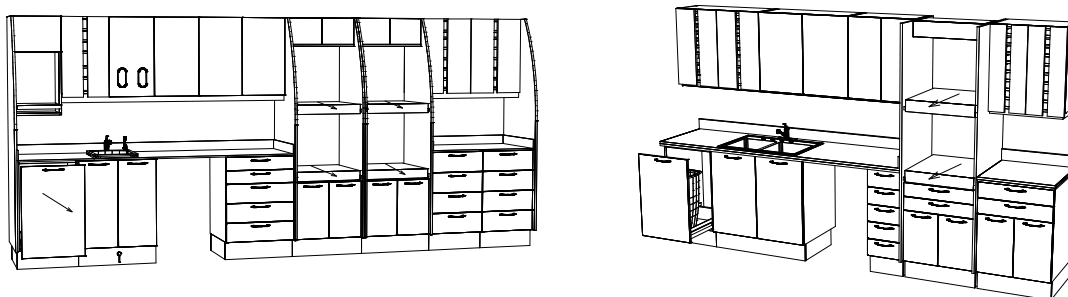
## Custom Galley Sterilization Centers



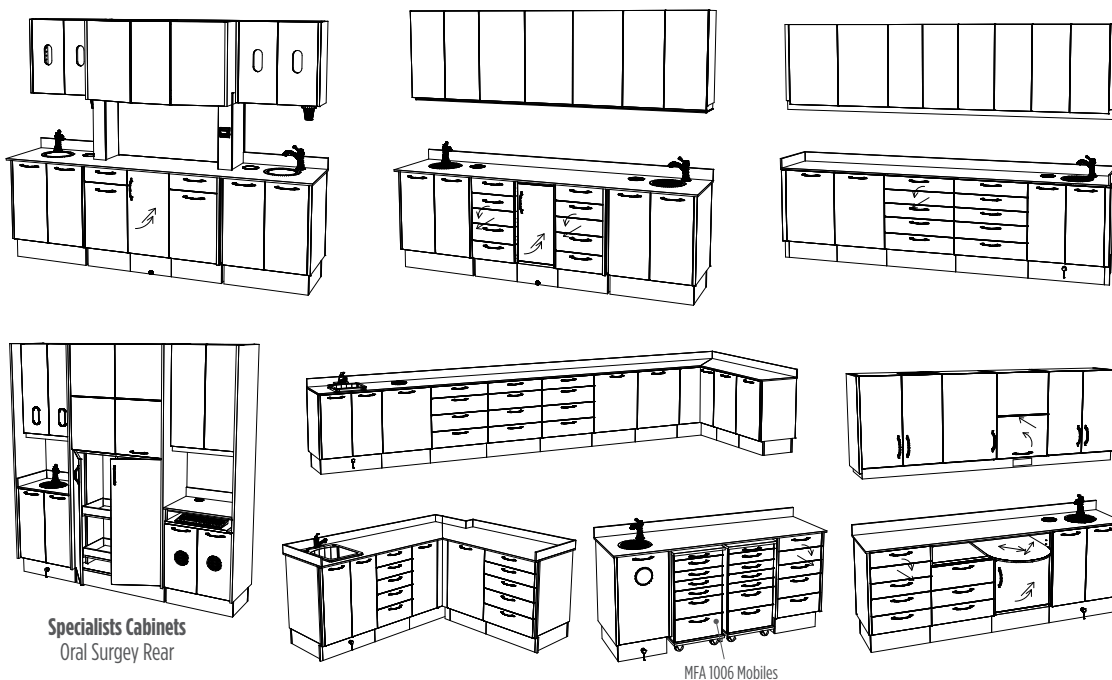
Galley Steri Center - Dirty Side

Galley Steri Center - Clean Side

## Custom Sterilization Centers



## Custom Rear and Side Cabinets



Specialists Cabinets  
Oral Surgery Rear

MFA 1006 Mobiles

TAILORED SOLUTIONS FOR YOUR DENTAL PRACTICE

# ORTHO MOBILES



**NEW!** ORTHO Mobiles are now Available in (HDPE) Antimicrobial High Density Polymer



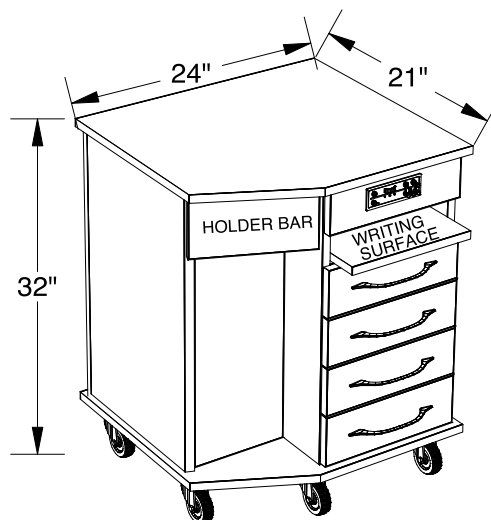
For more information, contact MCC at 1-800-388-6236 or visit [www.mccdental.com](http://www.mccdental.com)

ORTHO MOBILES COLLECTION

**MFO2421 (24" x 21")**  
**HDPE = AX** (Eg. MFO2421AX)

**STANDARD FEATURES**

- Slide out shelf for mini keyboard or writing shelf
- Soft close full extension drawers
- 2 hand piece automatic control with air/water syringe MCT520PM
- MCVKIPK Asst. Vacuum Kit (1 SE, 1 HVE and holders)
- Self contained clean water system with wall mount and gauge (1.5litre bottle)
- Complete Utility center with housing and cover and routing valve kit
- Rear access door • Sturdy rubber casters
- See control options for MCT520PM on page 33
- Available in all MCC Standard laminate colors and HDPE



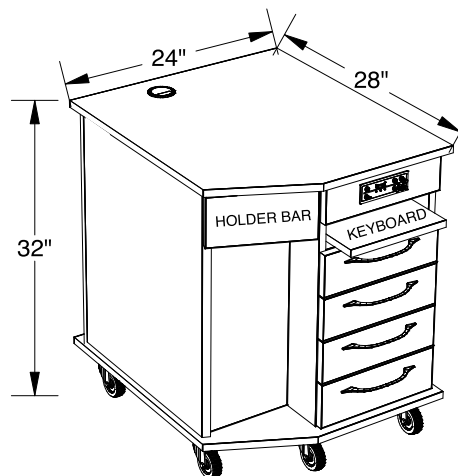
**MFO2421 CENTER PRICING / OPTIONS**

Cabinet	Promo Colors	Solid Surface	Laminate	HDPE
MFO2421/AX	•		\$6,355.00	\$7,592.00
MFO2421/AX/CRN		•	\$6,799.00	\$8,036.00
MFBFB5 Fixed Base (5" high)			\$315.00	\$315.00
MCLTU51 Laptop Mount			\$517.00	\$517.00
MP13MG Medical Grade Power Strip			\$359.00	\$359.00

**MFO2428C (24" x 28")**  
**HDPE = AX** (Eg. MFO2428CAX)

**STANDARD FEATURES**

- Slide out shelf for mini keyboard or writing shelf
- Soft close full extension drawers
- 2 hand piece automatic control with air/water syringe MCT520PM
- MCVKIPK Asst. Vacuum Kit (1 SE, 1 HVE and holders)
- Self contained clean water system with wall mount and gauge (1.5litre bottle)
- Complete Utility center with housing and cover and routing valve kit
- Dedicated computer storage with ventilation and medical grade power strip
- Rear access door • Sturdy rubber casters
- See control options for MCT520PM on page 33
- Available in all MCC Standard laminate colors and HDPE



**MFO2428C CENTER PRICING / OPTIONS**

Cabinet	Promo Colors	Solid Surface	Laminate	HDPE
MFO2428C/AX	•		\$6,850.00	\$8,087.00
MFO2428C/AX/CRN		•	\$7,405.00	\$8,642.00
MFBFB5 Fixed Base (5" high)			\$315.00	\$315.00
MCLTU51 Laptop Mount			\$517.00	\$517.00
MCUL5007 Monitor Mount			\$463.00	\$463.00
MCULD7K1Z Monitor Mount with 12" Keyboard Tray			\$1,193.00	\$1,193.00



See Vacuum Options on page 33



For more information, contact MCC at 1-800-388-6236 or visit [www.mccdenal.com](http://www.mccdenal.com)

NOTE: Base Modules Include Countertop. Promo Colors indicates European Promotional Solid Surface

# MOBILE CARTS



**CUSTOM  
MOBILES  
AVAILABLE**

*Call Us Today!*



**NEW! 1000 Series Mobiles are now Available  
in (HDPE) Antimicrobial High Density Polymer**

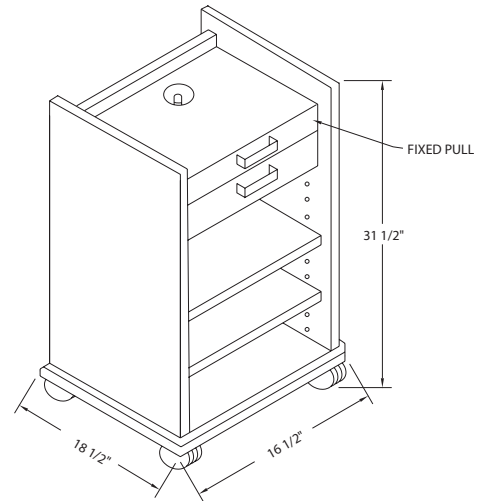


MOBILES COLLECTION - PROMOTIONAL

**MC553SP • UTILITY MOBILE**

**STANDARD FEATURES**

- One (1) instrument drawer
- Two (2) adjustable shelves
- Rear notched shelves for electrical cord exit
- Accommodates a variety of dental equipment
- PVC edging
- 16.5" wide, 18.5" deep, 31.5" high
- Shelf width 14.5" I.D.
- Three standard colors only for vertical and top surfaces: Folkstone, Surf & Snow White



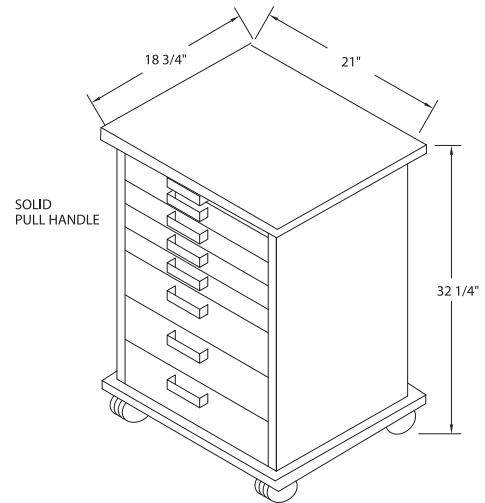
**MC553SP PRICING**

Cabinet	Laminate Top	Retail
MC553SP		\$435.00

**MFB210SP • DOCTOR'S MOBILE**

**STANDARD FEATURES**

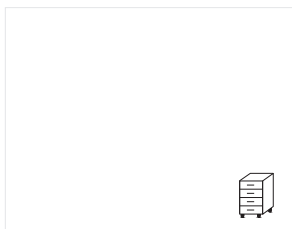
- Four (4) instrument drawers
- Three (3) storage drawers
- PVC edging
- 21" wide, 18.75" deep, 32.25" high
- Three standard colors only for vertical and top surfaces: Folkstone, Surf & Snow White



**MFB210SP PRICING**

Cabinet	Laminate Top	Retail
MFB210SP		\$895.00

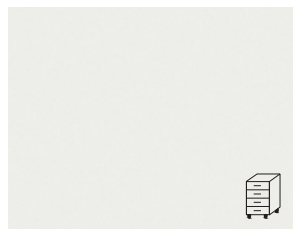
*Promotional Mobiles are available in 3 Laminate Colors only:*



White • 949-58



Folkstone • 927-58



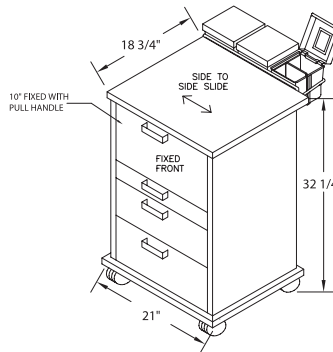
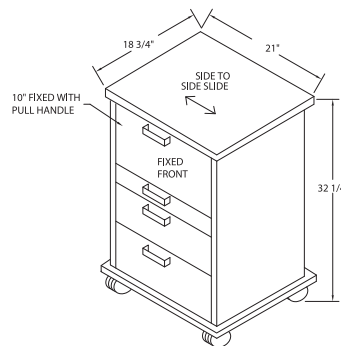
Surf (Crystal) • D388-60



### MFB217 • ALABAMA MOBILE

#### STANDARD FEATURES

- One (1) instrument drawer
- Two (2) storage drawers
- Sliding countertop (side-side or front-back)
- Fixed amalgamator well; power bar
- PVC edging
- 21" wide, 18.75" deep, 32.25" high
- Three standard colors only for vertical and top surfaces: Folkstone, Surf & Snow White



#### MFB217 PRICING/OPTIONS

Cabinet	Top Direction	Retail
MFB217SS	Side to Side	\$895.00
MFB217FB	Front to Back	\$895.00

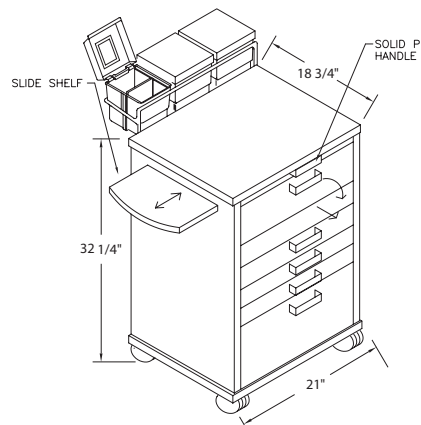
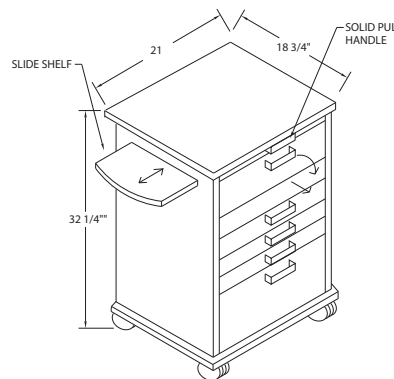
Same features as MB217SS above, includes MB20 storage organizer.

Cabinet	Top Direction	Retail
MFB217SSPK	Side to Side Only	\$1,154.00

### MFB218 • NORTH CAROLINA MOBILE

#### STANDARD FEATURES

- Three (3) instrument drawers
- One (1) storage drawer
- Pull-out amalgamator drawer with drop leaf door
- Sliding side shelf (specify right side or left side)
- PVC edging
- 21" wide, 18.75" deep, 32.25" high
- Three standard colors only for vertical and top surfaces: Folkstone, Surf & Snow White



#### MFB218 PRICING/OPTIONS

Cabinet	Top Direction	Retail
MFB218LT	Left Pull Out	\$895.00
MFB218RT	Right Pull Out	\$895.00

Same features as above, includes MB20 storage organizer.

Cabinet	Top Direction	Retail
MFB218PKLT	Left Pull Out with MB20	\$1,154.00
MFB218PKRT	Right Pull Out with MB20	\$1,154.00

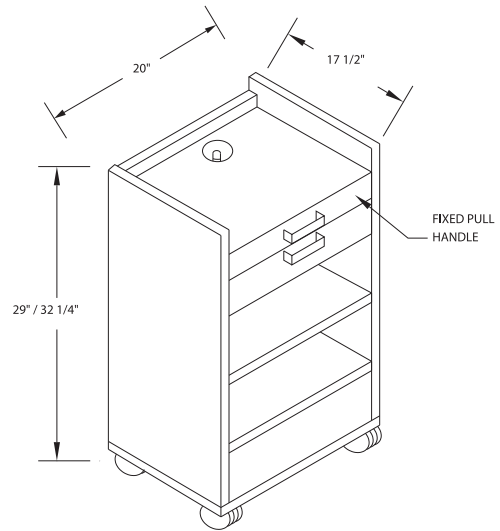
Option	Top Direction	Retail
MPBLK1	Gang-lock	\$437.00

MOBILES COLLECTION - 1000 SERIES

**MC5054 UTILITY MOBILE**  
**HDPE = AX (MC5054AX)**

**STANDARD FEATURES**

- One (1) instrument drawer
- Two (2) adjustable shelves behind door
- Rear notched shelves for electrical cord exit
- Accommodates a variety of dental equipment
- PVC edging
- 20" wide, 17.5" deep, 29" or 32.25" high (please specify)
- Available in all MCC Standard laminate colors and HDPE



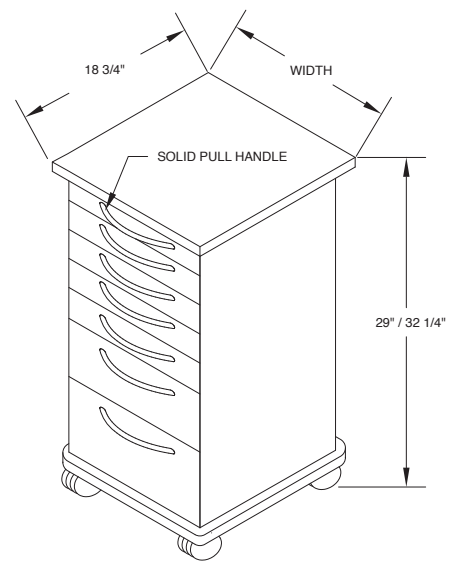
**MC5054 PRICING**

Cabinet	Laminate Top	Laminate	HDPE
MC5054/AX		\$871.00	\$1,861.00

**DOCTOR'S MOBILE**  
**HDPE = AX (Eg. MFA1006AX)**

**STANDARD FEATURES**

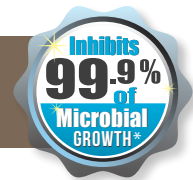
- Four (4) instrument drawers
- Three (3) storage drawers
- PVC edging
- Please specify 29" or 32.25" height
- For Vacuum Pkg options refer to page 34
- Available in all MCC Standard laminate colors and HDPE



**PRICING/OPTIONS - SOLID SURFACE TOP**

Cabinet	Width	Depth	Height	Laminate	HDPE
MFA1006/AX/CRN	17.5"	18.75"	29"/32.25"	\$2,315.00	\$3,305.00
MFB2006/AX/CRN	21.5"	18.75"	29"/32.25"	\$2,501.00	\$3,491.00
MFC3006/AX/CRN	25.5"	18.75"	29"/32.25"	\$2,657.00	\$3,647.00

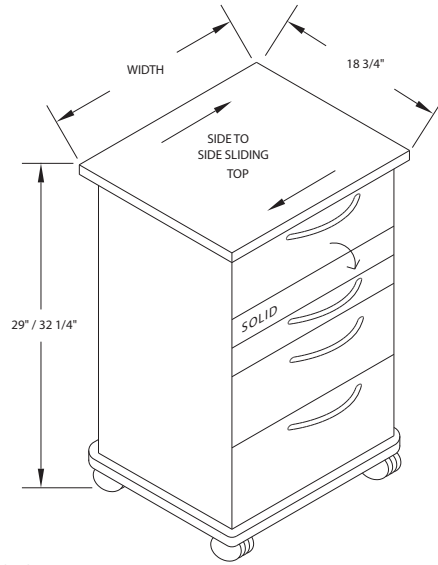
**NEW! 1000 Series Mobiles are now Available in (HDPE) Antimicrobial High Density Polymer**



**ALABAMA MOBILE**  
**HDPE = AX** (Eg. MFA1017AX)

**STANDARD FEATURES**

- One (1) instrument drawer
- Two (2) storage drawers
- Sliding countertop (specify side-side or front-back)
- Fixed amalgamator well; power bar: flip down front
- PVC edging
- Please specify 29" or 32.25" height
- For Vacuum Pkg options refer to page 34
- Available in all MCC Standard laminate colors and HDPE



\*Fixed Front

**PRICING - LAMINATE COLORS TOP**

Cabinet	Width	Depth	Height	Laminate	HDPE
MFA1017/AX	17.5"	8.75"	29"/32.25"	\$1,729.00	\$2,719.00
MFB2017/AX	21.5"	18.75"	29"/32.25"	\$1,936.00	\$2,926.00
MFB2017FF/AX*	21.5"	18.75"	29"/32.25"	\$1,587.00	\$2,577.00
MFC3017/AX	25.5"	18.75"	29"/32.25"	\$2,002.00	\$2,992.00

**PRICING - SOLID SURFACE COLORS TOP**

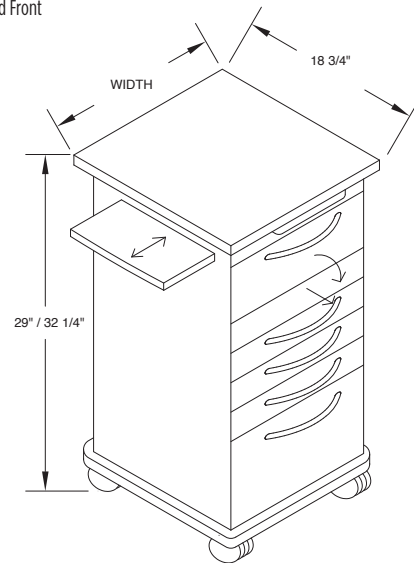
Cabinet	Width	Depth	Height	Laminate	HDPE
MFA1017/AX/CRN	17.5"	8.75"	29"/32.25"	\$2,292.00	\$3,282.00
MFB2017/AX/CRN	21.5"	18.75"	29"/32.25"	\$2,435.00	\$3,425.00
MFB2017FF/AX/CRN*	21.5"	18.75"	29"/32.25"	\$2,088.00	\$3,078.00
MFC3017/AX/CRN	25.5"	18.75"	29"/32.25"	\$2,583.00	\$2,573.00

\*Fixed Front

**NORTH CAROLINA MOBILE**  
**HDPE = AX** (Eg. MFA1018AX)

**STANDARD FEATURES**

- Three (3) instrument drawers
- One (1) storage drawer
- Pull-out amalgamator drawer with drop leaf door
- Sliding side shelf (specify right side or left side)
- PVC edging
- Please specify 29" or 32" height
- For Vacuum Pkg options refer to page 34
- Available in all MCC Standard laminate colors and HDPE



**PRICING / OPTIONS - LAMINATE**

Cabinet	Width	Depth	Height	Laminate	HDPE
MFA1018/AX	17.5"	18.75"	29"/32.25"	\$1,729.00	\$2,719.00
MFB2018/AX	21.5"	18.75"	29"/32.25"	\$1,936.00	\$2,926.00
MFC3018/AX	25.5"	18.75"	29"/32.25"	\$2,001.00	\$2,991.00

**PRICING / OPTIONS - SOLID SURFACE TOP**

Cabinet	Width	Depth	Height	Laminate	HDPE
MFA1018/AX/CRN	17.5"	18.75"	29"/32.25"	\$2,292.00	\$3,282.00
MFB2018/AX/CRN	21.5"	18.75"	29"/32.25"	\$2,435.00	\$3,425.00
MFC3018/AX/CRN	25.5"	18.75"	29"/32.25"	\$2,583.00	\$3,573.00

# FEATURED COLORS



Color is everything when it comes to making patients feel relaxed and keeping dental practices looking fresh and inviting.

That is why we offer an excellent range of colors, textures and counter surface choices to suit a range of styles, preferences and budget.

Your clients can choose from Laminate, Solid Surface and the Quartz collection by Caesarstone® and Silestone®.



TAILORED SOLUTIONS FOR YOUR DENTAL PRACTICE

# PEDIATRIC BENCHES



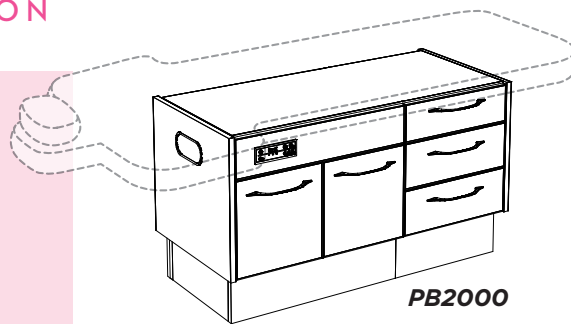
For more information, contact MCC at 1-800-388-6236 or visit [www.mccdental.com](http://www.mccdental.com)

PEDIATRIC BENCH COLLECTION

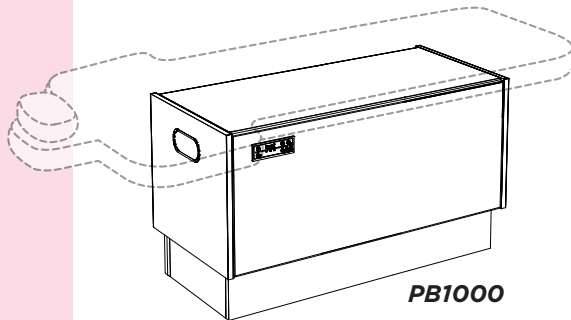
**PB2000 & PB1000**

**KEY FEATURES**

- Designed specifically for the Pediatric Dental Practice
- Available in other configurations of drawers and storage modules to integrate with most Pediatric office concepts (PB2000 only)
- Optional Doctor/Assistant Controls
- Multiple color selections for Laminate Colors and Upholstery choices.  
<https://mccdental.com/pedo-bench-upholstery/>
- Soft-close drawers and doors (PB2000 only)
- Water resistant polymer subbase with levelling legs



**PB2000**



**PB1000**

**PB2000 PEDIATRIC BENCH PRICING**

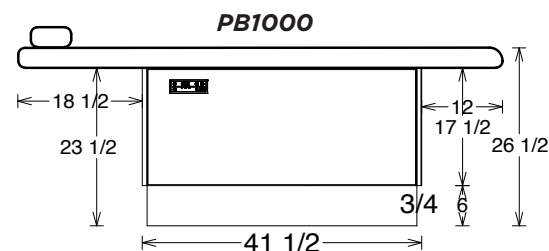
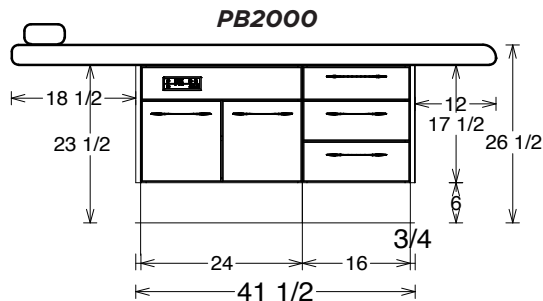
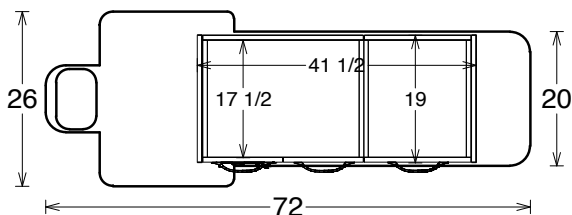
Cabinet	Retail
PB2000 – With Standard Silk upholstery	\$5,760.00

**PB1000 PEDIATRIC BENCH PRICING**

Cabinet	Retail
PB1000 – With Standard Silk upholstery	\$4,896.00

**OPTIONS**

Control/Vacuum	Part Number	Retail	Select
2HP Automatic Control with AW Syringe, Dual Folding Arms, Vacuum (IHVE, ISE) and AW Syringe, Wall Mount Clean Water, air only regulator	MC2200P	\$4,013.00	<input type="checkbox"/>
Fibre-Optic System for One Hand piece	MCIHPO	\$1,305.00	<input type="checkbox"/>
6 Pin Fibre-Optic System for One Hand piece	MCIHPO-6	\$1,305.00	<input type="checkbox"/>
Assistant's only package with AW Syringe (1 HVE SE) with Folding Arms and Vacuum Utilities	MCPDVK2U	\$1,718.00	<input type="checkbox"/>
Clean Water	MCSCWM1	\$407.00	<input type="checkbox"/>
Additional Universal Autoclavable HVE position with tubing	MCIHVE	\$133.00	<input type="checkbox"/>
Routing Valve Kit with Water Shutoff & Regulator	MCRVK1	\$387.00	<input type="checkbox"/>



# VISTA CLEAR

**VistaClear** provides dental practices with centrally installed water filtration, backflow prevention and a method for convenient operatory cleaning, eliminating the need for dental bottles altogether! This patented system saves practices time and money while protecting dental equipment.

**VistaPure** provides two grades of high-quality water for autoclaves, dental bottles, ultrasonic cleaners and instrument washers for the ultimate convenience.



VistaPure Equipment



VistaClear Equipment



VistaPure Equipment

VistaClear and VistaPure equipment not sold by MCC Dental

VistaClear Cabinet  
(Handles are optional)



## VISTACLEAR AND VISTAPURE CABINET PRICING

Part number	Description	Retail
MCVSTC1	VistaClear HDPE Cabinet (No equipment)	\$2,514.00
MCVSTP1	VistaPure HDPE Pull out shelf (No equipment)	\$190.00

# ACCESSORIES

## HANDLES - MCC STANDARD AND CUSTOM ORDER

### STANDARD HANDLES



**MP9303**  
7-1/4" Bar handle brushed metal



**MPMHBO**  
Metal handle; boss- brushed metal  
Full length 6-5/8"



**MPBM**  
Brushed chrome handle 5" half moon - flat  
Full length 5-1/2"



**MPBM-R**  
Brushed chrome handle 5" half moon - round  
Full length 5-1/2"



**MPM**  
Chrome handles 4"



**P0067**  
Smk40 satin nickel knob  
ø 7/8"

### CUSTOM ORDER HANDLES






**MP8112G**  
Contemporary Metal Pull - 107  
5" C/C Gold - Full length 5-1/2"



**BP107**  
Contemporary Metal Pull - 107  
5" C/C Matte Black - Full length 5-1/2"



**DELIVERY SYSTEMS - CONTROLS**

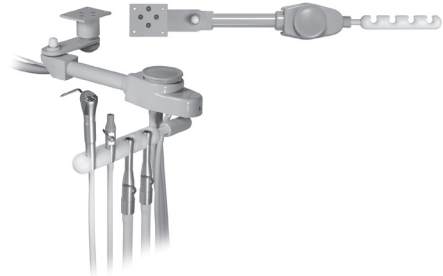
<b>ITEM NUMBER</b>	<b>DESCRIPTION</b>	<b>RETAIL PRICING</b>
<b>MCT500PM*</b>	<b>PANEL MOUNT, 3HP AUTO CONTROL UNIT</b>	<b>\$3,862.00</b>
	<ul style="list-style-type: none"> <li>• Air/Water shut off, valves and regulator</li> <li>• Wet/dry foot control • Remote mount holder assembly</li> <li>• Quick-disconnect syringe • Individual water coolant adjustment</li> <li>• Sterling 4-hole Midwest-type HP tubing</li> <li>• Routing valve kit</li> <li>• Self contained (wall mount) clean water with gauge</li> <li>• 1.5 liter bottle includes shroud and mini regulator</li> </ul>	
<b>OPTIONS:</b>		
MC1HPFO	Fiber-optic system for 1 hand piece	\$1,305.00
MC1HPFO-6	6 pin Fiber-optic system for 1 hand piece	\$1,305.00
MC2HPFO	Fiber-optic system for 2 hand pieces with tubing, and lamps	\$1,569.00
MC2HPFO-6	6 pin Fiber-optic system for 2 hand pieces with tubing and lamps	\$1,569.00
MCUTILH	Utility housing & cover only	\$230.00
<b>MCT520PM*</b>	<b>ORTHO PANEL MOUNT UNIT CONTROL, 2HP AUTOMATIC</b>	<b>\$3,884.00</b>
	<ul style="list-style-type: none"> <li>• 3-way air/water syringe, quick disconnect • Wet/dry foot control</li> <li>• Sterling 4-hole Midwest-type HP tubing</li> <li>• Tradition Utility Center with 10' umbilical, valves, and regulator housing and cover</li> <li>• Routing valve kit</li> <li>• Self contained (wall mount) clean water with gauge</li> <li>• 1.5 liter bottle includes shroud and mini regulator</li> </ul>	
<b>OPTIONS:</b>		
MC1HPFO	Fiber-optic system for 1 hand piece	\$1,305.00
MC1HPFO-6	6 pin Fiber-optic system for 1 hand piece	\$1,305.00
MC2HPFO	Fiber-optic system for 2 hand pieces with tubing, and lamps	\$1,569.00
MC2HPFO-6	6 pin Fiber-optic system for 2 hand pieces with tubing and lamps	\$1,569.00
<b>MCT600PK*</b>	<b>AUTOMATIC "MINI" 3HP UNIT CONTROL</b>	<b>\$4,157.00</b>
	<ul style="list-style-type: none"> <li>• 3-way air/water syringe • Individual HP pressure adjustment</li> <li>• Individual water coolant adjustment</li> <li>• Sterling 4-hole Midwest-type HP tubing</li> <li>• Air/Water shut off, valves and regulator</li> <li>• Swivel, slide-mount, under cabinet mount</li> <li>• Routing valve kit</li> <li>• Self contained (wall mount) clean water with gauge</li> <li>• 1.5 liter bottle includes shroud and mini regulator</li> </ul>	
<b>OPTIONS:</b>		
MC1HPFO	Fiber-optic system for 1 hand piece	\$1,305.00
MC1HPFO-6	6 pin Fiber-optic system for 1 hand piece	\$1,305.00
MC2HPFO	Fiber-optic system for 2 hand pieces with tubing, and lamps	\$1,569.00
MC2HPFO-6	6 pin Fiber-optic system for 2 hand pieces with tubing and lamps	\$1,569.00
MCAS812	Add folding arm assembly (8" & 12") with wall mount less swivel slide mount	\$93.00
MCUTILH	Utility housing & cover only	\$230.00
MC1406CS	Vacuum kit on extended bar, 1HVE & 1 SE	\$379.00

ACCESSORIES - DELIVERY SYSTEMS

DELIVERY SYSTEMS - CABINET MOUNTED VACUUM PACKAGES

**MC055\*** **\$2,557.00**

- Central Vacuum under-surface package with rotating mount
- 3-way air and water QD syringe
- Solids collector and canister
- 2 HVE and 1 SE with 5' tubing
- Vacuum utility with air and water shut-off valves

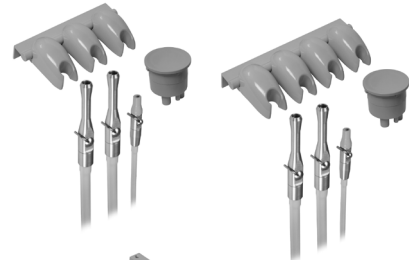


**MCFPVK2\*** **\$596.00**

- Central Vacuum trap with solids collector
- 2 universal HVE valves with 5' tubing, SE valve with 5' tubing holder bar with 3 universal holders

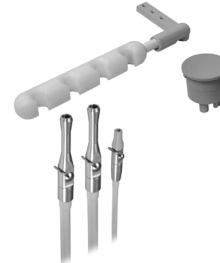
**MCFPVK2Q\*** **\$661.00**

- Available with quad holder bar
- Standard features are same as MCFPVK2



**MCHSVK2Q\*** **\$660.00**

- Available with quad holder bar
- Standard features are same as MCHSVK2



**MCVK1\*** **\$287.00**

- 1 universal HVE and 1 SE (both include 5" tubing)
- 1 vacuum trap with solids collector

**MCVK1PK\*** **\$446.00**

- Standard features are same as MCVK1
- Also includes 2 holders/hangers and dual bar



- OPTIONS\***
- 3-way QD syringe with tubing and flow adjustment block
  - MCSYRB **\$341.00**

Optional Accessories	Part Number	Retail
Additional Universal Autoclavable HVE position with tubing	MCHVE	\$133.00
Autoclavable SE valve with 5' of tubing	MCSE1	\$93.00
3-way QD syringe with tubing and flow adjustment block	MCSYRB	\$341.00
Vacuum Utilities (No housing or cover)	MCUTILV	\$525.00
Self contained clean water	MCSWMI	\$407.00
Utility housing and cover only	MCUTILH	\$230.00

## TAPMASTER HANDS-FREE CONTROL\*

### STANDARD FEATURES

- Tapmaster hand-free Single (MP1750) and Dual (MP1752 not shown) kick pedal controls
- Dual Kick used on Center Island cabinets
- Mounts on cabinet toe kick; 4" height minimum
- Horizontal clearance of 8" minimum



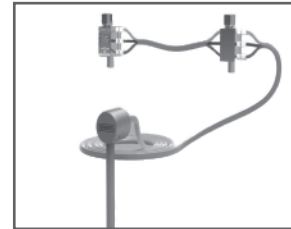
### MP1750 PRICING / OPTIONS

Cabinet	Width	Depth	Height	Retail
MP1750	8"	1.14"	3.42"	\$821.00
MP1752	8"	1.14"	3.42"	\$1,359.00

## TAPMASTER HANDS-FREE HWC CONTROL\* (EURO STYLE)

### STANDARD FEATURES

- Mounts on cabinet toe kick; 4" height minimum
- Horizontal clearance of 8" minimum
- Hands-free temperature control: Hot, Warm, Cold



### MP1775 PRICING / OPTIONS

Part Number	Retail
MP1775	\$821.00



\* **CALIFORNIA PROP 65 WARNING:** This product can expose you to chemicals including lead which is known to the State of California to cause cancer and birth defects or other reproductive harm. For more information go to [www.P65Warnings.ca.gov](http://www.P65Warnings.ca.gov). Note: Product deemed drinking water safe under NSF 61.372

ACCESSORIES - PLUMBING FIXTURES

ACCESSORIES - PLUMBING FIXTURES

**FAUCETS**

Product Description	Part Number	Retail	Select
Single Lever Faucet, Chrome	MP2K	\$495.00	<input type="checkbox"/>
Single Lever Faucet with Swivel Spout	MP2D	\$568.00	<input type="checkbox"/>
Single Lever Faucet with Telescoping Spray Gun	MP2PS	\$631.00	<input type="checkbox"/>
Single Lever Faucet with gooseneck spout, 2 holes cutout	MP5	\$523.00	<input type="checkbox"/>
High Arc Pulldown Faucet	MP5HAT	\$712.00	<input type="checkbox"/>



MP2K



MP2D



MP2PS



MP5



MP5HAT

**SINKS**

Product Description (Inside sinks' measurement)	Part Number	Retail	Select
Stainless Steel Sink – 11-5/8" x 9-1/4" D x 6" H	MP1	\$474.00	<input type="checkbox"/>
Stainless Steel Sink and a half – 25" W x 16" D x 8" H	MP15	\$764.00	<input type="checkbox"/>
Stainless Steel Sink, Double – 29" W x 16" D x 8" H	MPIDBL	\$1,076.00	<input type="checkbox"/>
Stainless Steel Sink, Undermount – 14" W x 16" D x 9" H	MP1LUM	\$779.00	<input type="checkbox"/>
Stainless Steel Sink – 21" W x 16" D x 10" H	MP1XLUM	\$970.00	<input type="checkbox"/>
Stainless Steel Lab Sink – 20" W x 17" D x 8" H	MP1EXLQ	\$387.00	<input type="checkbox"/>
Stainless Steel Sink, Round – 10-1/4" Ø x 6" H	MP1R	\$414.00	<input type="checkbox"/>



MP1



MP15



MPIDBL



MP1LUM



MP1XLUM



MP1EXLQ



MP1R

**SOAP DISPENSERS**

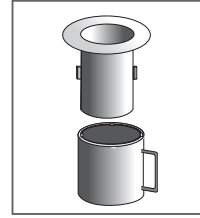
Product Description	Part Number	Retail	Select
Soap Dispenser, Chrome	MP3M	\$176.00	<input type="checkbox"/>

**WASTE SOLUTIONS**

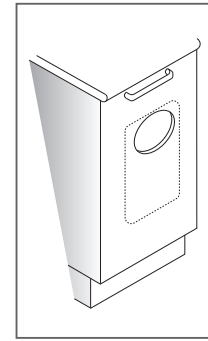
**STANDARD FEATURES**

- 4" waste chute with bag holder collar (MPWC4)
- Waste drop receptacle, bin and p-trap extension

(MPTN); bags not included for either item



MPWC4 Waste Chute



MPTN Waste Solution

**WASTE SOLUTIONS PRICING / OPTIONS**

Part Number	Retail
MPWC4	\$485.00
MPTN	\$327.00

**MB11M**

**STANDARD FEATURES**

- Countertop waste drop and metal bezel
- Metal bezel only (MB11BM)



**MB11M PRICING / OPTIONS**

Part Number	Retail
MB11M	\$216.00

**SHARPS SYSTEMS**

**STANDARD FEATURES**

- Under-counter sharps hanger (bags not included)
- 6.2qt MPSCHM62 or 10qt MPSCHM10 container
- Top-mounted sharps container (MB11S)



**SHARPS SYSTEMS PRICING / OPTIONS**

Part Number	Retail
MPSCHM62	\$575.00
MPSCHM10	\$692.00
MB11S	\$263.00

# WHY CHOOSE MCC DENTAL

50+ YEARS EXPERTISE



CUSTOM AND PRE-DESIGN OPTIONS



INNOVATION



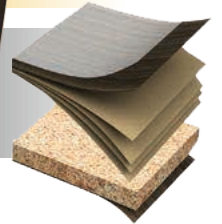
15-YEAR WARRANTY



TECHNOLOGY



MATERIALS AND HARDWARE



FAST LEAD TIMES



SAFETY



CUSTOMER SERVICE/SUPPORT



Since 1969, MCC Dental has been working closely with dental professionals to identify and deliver on their unique business requirements. Every practice is as unique as the professionals who run them, and we understand that a variety of solutions are needed to meet the needs of every dentist.

# 50+ YEARS EXPERTISE

For 50 years, we at MCC Dental have continually collaborated with dental professionals on the design of our practice cabinets. The result of our efforts is industry leading; well designed, and high-quality. Our cabinetry is also available using environmentally-friendly manufacturing techniques.

**Our philosophy** is to design and deliver the absolute best cabinets for your dental office. This includes working closely with our customers to ensure we understand their needs, and delivering a dental cabinet solution they will be satisfied with for years to come.

**Our goal** is to be among the leading cabinet manufacturer in the North American Dental industry. Whether you design your complete practice with our functional and beautiful units or augment an existing practice with our modular cabinets, our goal is to contribute to a professional looking environment that is pleasing to you, your staff and your patients.



## CUSTOM AND PRE-DESIGN OPTIONS

While we offer modular units like our Tailored Collection, we find that the custom units provide dentists with the greatest flexibility; dentists can design their patient service environments in a way that is most efficient with their unique layout and personal style.

**Today, MCC Dental is a market leader in custom cabinets.**

We maximized the functionality of our Rear, Side, Sterilization and Center Island cabinets, every corner, shelf and position has been transformed into useful space keeping our cabinets to the smallest footprint possible, while still accommodating everything required for today's well equipped dental facility.

We also recently launched a line of conveniently pre-designed Rear, Side and Sterilization cabinets, just pick colors and surfaces and they are ready to go. Built solid with the same quality, functionality and passion that make MCC Dental stand out from the competition, all of it at an even better value.



## 15 YEAR WARRANTY

**WE HAVE YOU COVERED!**

At MCC Dental we stand behind our products with a Fifteen (15) Year casework warranty. We want every MCC Dental customer to be satisfied and covered for a long time because, with more than 50 years in the business, we believe that our cabinets are built to last, with a craftsmanship and passion that distinguish us from our competitors. Whether it's modular, custom construction, sterilization or mobile cabinetry, our philosophy is always to design and deliver the absolute best and durable cabinets for your dental office.

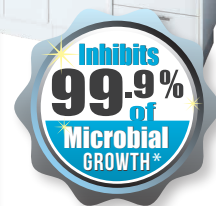


## INNOVATION

We were the first to launch Sterilization units made of HDPE, an advanced anti-microbial material that integrates the antimicrobial protection into the product during the manufacturing process.

Our antimicrobial material inhibits the growth of microorganisms caused by bacteria, algae and fungi. Our products are also non-porous and kill the spread of bacteria resistant to moisture and mildew.

*The same base polymer (HDP) is used in luxury Yacht interiors because it's impervious to water damage, reason why we use it in all our cabinets' subbase.*

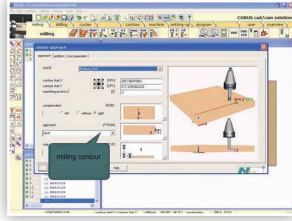


For more information, contact MCC at 1-800-388-6236 or visit [www.mccdental.com](http://www.mccdental.com)

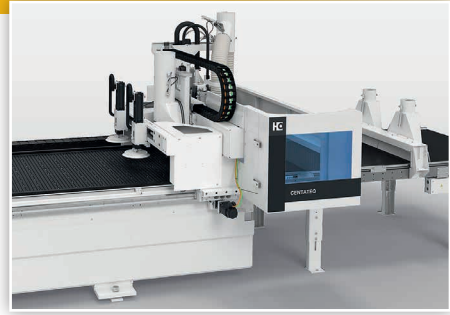
# TECHNOLOGY

## STATE-OF-THE-ART CAD AND PRODUCTION DEPARTMENTS

We have a state-of-the-art CAD department that provide perfect solutions for all the dental cabinetry needs, whether is a custom order for an entire practice or a single cabinet, all measurements are sent to the production department with 100% precision.



Once at the production stage, craftsmanship combined with state-of-the-art Technology and top-of-the-line Machinery provides consistent accurate drilling and cutting of all cabinetry parts, allowing us to be very precise in the construction process and more productive resulting in faster lead times.



▲ World renowned, German Brandt Homag Point to Point Router

▼ Best in its class German Brandt Homag Edge Bander

## UNIQUE SERIAL NUMBER SYSTEM

Our unique Serial Number System provides all manufacturing information necessary for re-ordering. This is very helpful if a dentist decide to expand his/ her practice and want to add identical cabinets or relocate, all that is needed is the serial number. Also the serial number make the investment a tax write-off.



# MATERIALS AND HARDWARE

Investing in well designed, high quality cabinetry today pays high dividends down the road, as practices evolve to meet new and ever demanding needs, and we at MCC use top-of-the-line materials and hardware to ensure the cabinetry investment will last for years. Quality is key to successful business and we find dental offices that still carry our cabinetry efficiently after 30+ years thanks in part to the high quality of our materials.



Double Wall Drawer System with soft close feature and full extension slides allow "silent close" operation, 88 lb. load capacity with aesthetic 4-way gap adjustment, drawer face retrofit.

Patented, Hi-Gloss, Scratch-Resistant **BRILLIANCE** finish ▶



# SAFETY

Our ASEPTX® Sterilizations provide a real solution for antimicrobial hygiene. The **High Density Polymer (HDPE)** material advanced antimicrobial technology protects against bacterial degradation by inhibiting the growth of microorganisms caused by bacteria, algae and fungi. We also build Mobiles made of HDPE.

**Center Island Non-Lead Radiation Shielding Technology.** We offer a safer, more environmentally friendly, lead-free solution to traditionally lead-based radiation shielding products.

We recently launched a new line of countertops made of **Antimicrobial Enhanced Solid Surface.**

We offer optional **antibacterial handles** for our ASEPTX® Sterilization units.

# FAST LEAD TIME

We complete projects with an efficient lead time, often faster than the competition.

# CUSTOMER SERVICE/SUPPORT

**24/7 Online Support** via MCC 360 System (available to Dealers only) including Live Ship Date and Lead Time. Our live operators are available during work hours, 8:30 - 4:30 E.T..



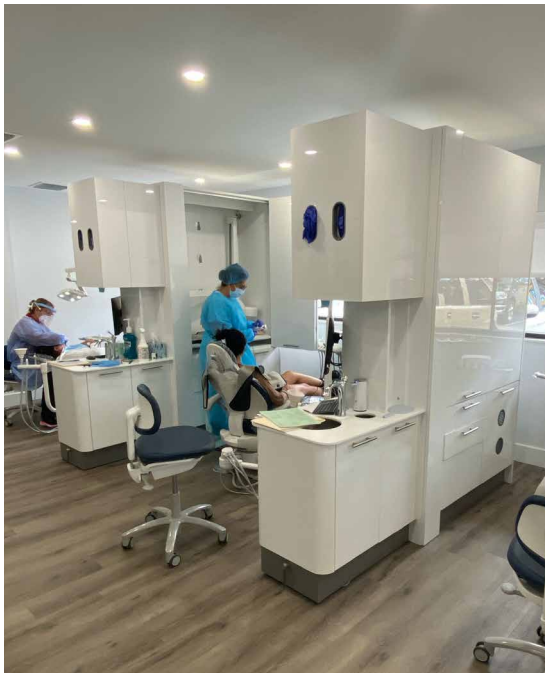
For more information, contact MCC at 1-800-388-6236 or visit [www.mccdental.com](http://www.mccdental.com)



ITEMS	MCC DENTAL CABINETRY	LOCAL CONTRACTORS
<b>Warranty</b>	<ul style="list-style-type: none"> <li>• 15 Year Warranty.</li> </ul>	<ul style="list-style-type: none"> <li>• Normally up to 1 year if any.</li> </ul>
<b>Relocatable</b>	<ul style="list-style-type: none"> <li>• MCC cabinets can be relocated.</li> </ul>	<ul style="list-style-type: none"> <li>• Not intended for relocation. Built to fit in specific offices and building location.</li> </ul>
<b>Integration of equipment</b>	<ul style="list-style-type: none"> <li>• MCC cabinets are adaptable to any equipment required.</li> </ul>	<ul style="list-style-type: none"> <li>• Equipment integration is typically an afterthought.</li> <li>• High risk of cabinet damage.</li> </ul>
<b>Products included</b>	<ul style="list-style-type: none"> <li>• Faucets, sinks, strainers included.</li> </ul>	<ul style="list-style-type: none"> <li>• Normally charged extra</li> </ul>
<b>Electrical</b>	<ul style="list-style-type: none"> <li>• Built in (UL/CSA Certified)</li> <li>• Medical grade receptacles, GFCI, tamper resistant.</li> </ul>	<ul style="list-style-type: none"> <li>• Normally not provided by cabinet maker, outsourced to electrician after installation.</li> </ul>
<b>Electrical and plumbing templates</b>	<ul style="list-style-type: none"> <li>• Full size templates showing electrical and plumbing locations available.</li> </ul>	<ul style="list-style-type: none"> <li>• While contractors and cabinetmakers might have dental equipment expertise, most don't have an in-depth understanding of dental cabinetry.</li> </ul>
<b>Countertops</b>	<ul style="list-style-type: none"> <li>• Seamless, fastened in place.</li> </ul>	<ul style="list-style-type: none"> <li>• Normally glued in place and hard to remove without damage to the surface.</li> </ul>
<b>Door hardware</b>	<ul style="list-style-type: none"> <li>• Stainless steel handles, available in standard and custom options.</li> </ul>	<ul style="list-style-type: none"> <li>• Off-the-shelf handles and knobs with limited future availability.</li> </ul>
<b>Subbase</b>	<ul style="list-style-type: none"> <li>• Made of water proof high density polymer.</li> <li>• Independent levelling feet.</li> <li>• Optional seismic anchoring system.</li> <li>• Mounting hardware provided for all flooring options.</li> </ul>	<ul style="list-style-type: none"> <li>• Normally plywood or particleboard</li> <li>• Levelled by scribing to floor or shimming.</li> <li>• Vulnerable to water damage.</li> <li>• Vulnerable to impact damage on all edges.</li> </ul>
<b>Outerheads (external)</b>	<ul style="list-style-type: none"> <li>• Industrial grade, 100% recycled particleboard (45+ lb/20+ kg).</li> <li>• 2 mm color matched edgebanding.</li> <li>• High-pressure decorative laminate.</li> <li>• Postformed laminate to round corners.</li> </ul>	<ul style="list-style-type: none"> <li>• Low grades particleboards and medium density of fiberboards and plywoods.</li> <li>• High-pressure decorative laminate.</li> <li>• Laminated edges.</li> </ul>
<b>Installation</b>	<ul style="list-style-type: none"> <li>• Cabinets are installed by MCC's and dealers' professionally trained installers.</li> </ul>	<ul style="list-style-type: none"> <li>• General labor installers.</li> </ul>
<b>Cabinets serial numbering system</b>	<ul style="list-style-type: none"> <li>• Our unique Serial Numbering System provides all manufacturing information necessary for re-ordering. This is very helpful if a dentist decide to expand his/her practice and want to add identical cabinets or relocate, all that is needed is the serial number. The serial number make the investment a tax write-off.</li> </ul>	<ul style="list-style-type: none"> <li>• None available. And no tax write-off.</li> </ul>

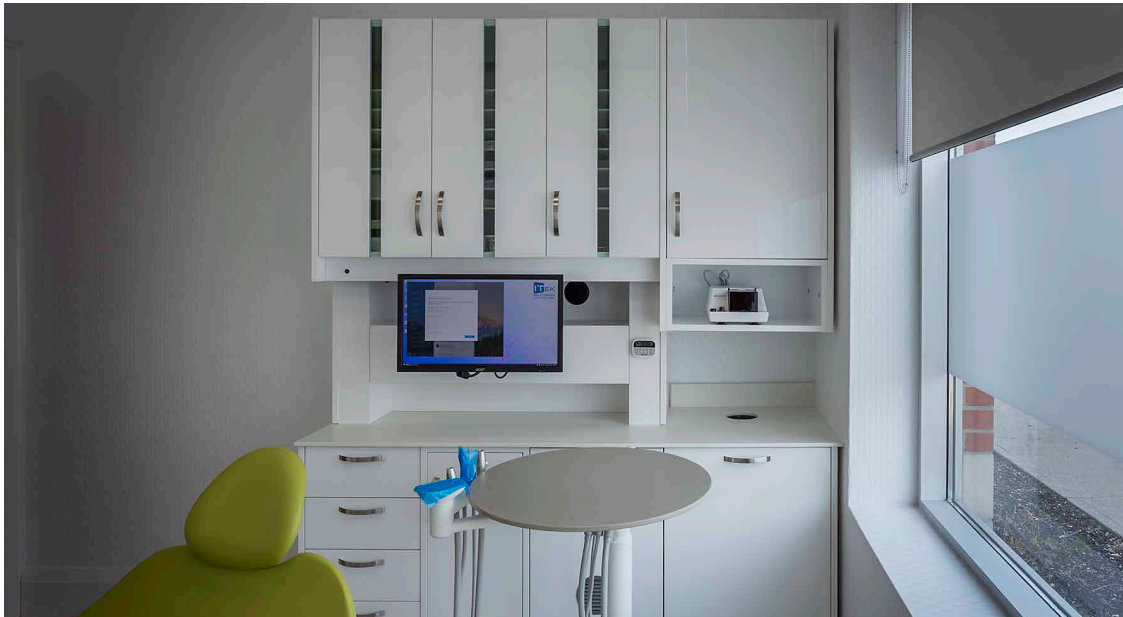
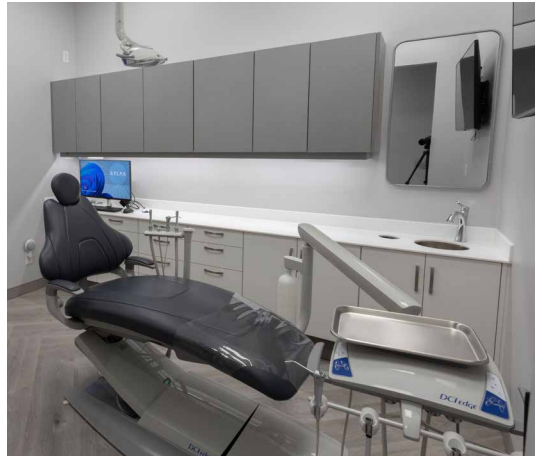
TAILORED SOLUTIONS FOR YOUR DENTAL PRACTICE

# PHOTO GALLERY



TAILORED SOLUTIONS FOR YOUR DENTAL PRACTICE

# PHOTO GALLERY



TAILORED SOLUTIONS FOR YOUR DENTAL PRACTICE

# PHOTO GALLERY

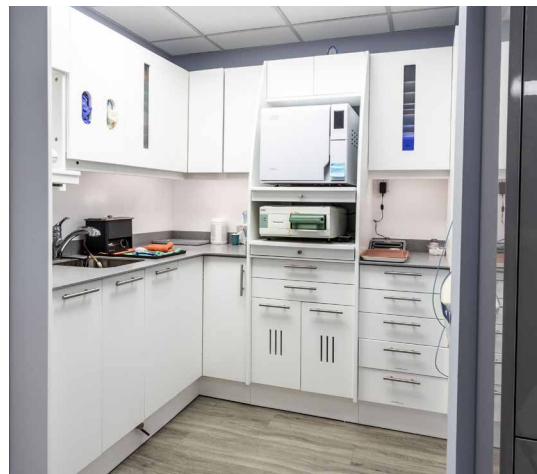


PHOTO GALLERY



TAILORED SOLUTIONS FOR YOUR DENTAL PRACTICE

# PHOTO GALLERY

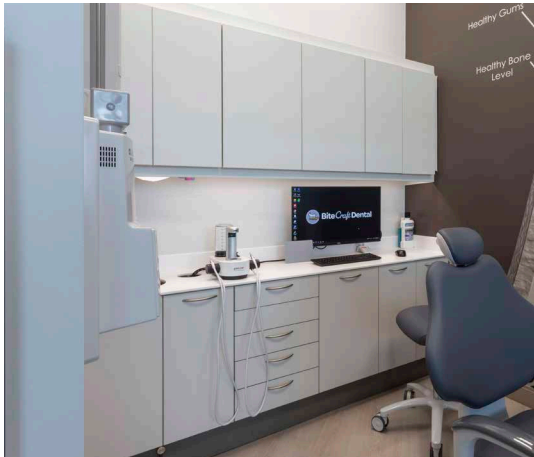
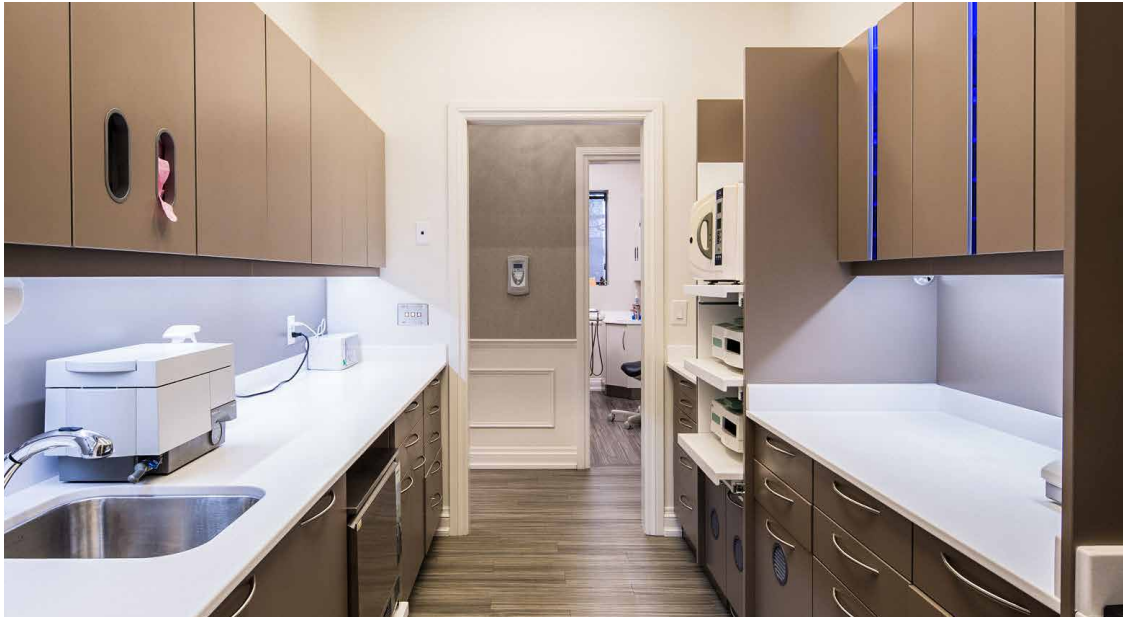


TAILORED SOLUTIONS FOR YOUR DENTAL PRACTICE

# PHOTO GALLERY



PHOTO GALLERY

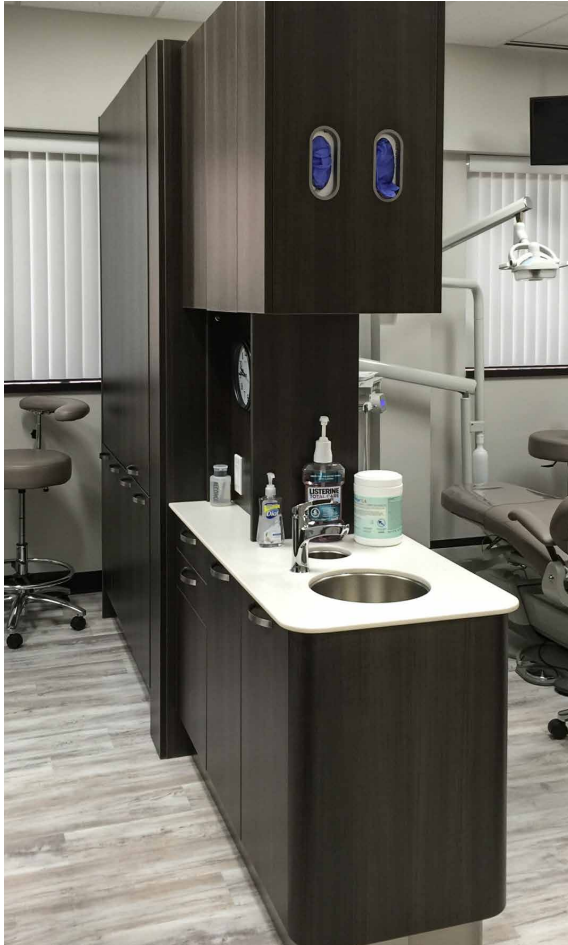


TAILORED SOLUTIONS FOR YOUR DENTAL PRACTICE

# PHOTO GALLERY



PHOTOGRAPHY BY C



For more information, contact MCC at 1-800-388-6236 or visit [www.mccdental.com](http://www.mccdental.com)

TAILORED SOLUTIONS FOR YOUR DENTAL PRACTICE

# TERMS AND CONDITIONS

## TERMS

All prices, unless otherwise listed are FOB Maple, Ontario, Canada. Payment terms are specified on each invoice and are due in MCC's office by this date. Discount does not apply to freight, installation/delivery and/or special color charges. A service charge of 2% per month (annual 24%) will be charged on past due accounts. All prices are subject to change without notice.

## RETURNED GOODS

An MCC factory Return Authorization Number (RAN) must be obtained from MCC for the return of any warranty or special sales situation. A Return Authorization form must be completed and faxed to our customer service department. If authorization is granted, transportation charges must be prepaid on ALL return items and received in good condition. The RAN must be clearly marked on the packing slip. Custom design cabinets or Mobiles, including special colors, are NON-RETURNABLE under any circumstance. An RAN does not guarantee credit. Credit will not be issued until after receipt and inspection of the returned items has been assessed. All returned items are subject to a 20% restocking fee and credit will be based on the original invoice price. MCC's Receiving Dock will not accept any returned freight that does not have a legitimate RAN. Please contact MCC for proper procedure information.

## SHIPPING AND TRANSPORTATION

Arrangements for preferred carriers should be made in advance, in the absence of shipping instructions MCC reserves the right to determine the best mode of transportation based on the cabinet/equipment order.

## FREIGHT DAMAGE

Merchandise arriving with visible external damage should be thoroughly inspected and clearly described on the bill of lading, by the customer, and the carrier should be notified IMMEDIATELY. If concealed freight damage is revealed upon unpacking of cabinets, the carrier and MCC should be notified IMMEDIATELY. Digital photographs of all damages should be emailed within 10 days of receipt of the shipment. The carrier is responsible for damage or loss in transit. If damage is not noted on the bill of lading, the buyer must accept full responsibility for any damage discovered at a later date.

## WATER DAMAGE

Proper care and maintenance must be adhered to in order to prevent water damage. This means thoroughly wiping excess water, solvents and liquids from countertops. MCC is not responsible for any water damage. At MCC Dental we stand behind our products with a Fifteen (15) Year casework warranty. We want every MCC Dental customer to be satisfied and covered for a long time because, with more than 50 years in the business, we believe that our cabinets are built to last, with a craftsmanship and passion that distinguish us from our competitors. Whether it's modular, custom construction, sterilization or mobile cabinetry, our philosophy is always to design and deliver the absolute best and durable cabinets for your dental office.

# LIMITED WARRANTY

In effect as of June 1, 2021

## INTRODUCTION

At MCC Dental, we stand behind our products with the 15-year casework limited warranty set out below. We want every MCC Dental customer to be satisfied and covered for a long time because we believe that our cabinets are built to last, with a craftsmanship and passion that distinguish us from our competitors. Whether it is modular, custom construction, sterilization or mobile cabinetry, our philosophy is always to design and deliver the absolute best and durable cabinets for your dental office.

## SCOPE OF WARRANTY

MCC Dental warrants that any products manufactured by MCC Dental (except for "Exclusions" below) with defective workmanship under normal interior intended use and service of products will be repaired or replaced. This limited warranty is restricted to defects that are reported to MCC Dental within the applicable warranty period and which prove to be defective upon examination by MCC Dental. This limited warranty is only available to the original retail purchaser of warranted product.

## WARRANTY PERIOD

The applicable warranty period for any particular product, which begins from the date of delivery to the first retail user, is as follows:

- a. 15 years for all MCC Dental brand (custom and modular) casework cabinetry which includes electrical components and door and drawer fronts, but does not include the items listed in b. through e. below or any "Exclusions" listed on next page



## TAILORED SOLUTIONS FOR YOUR DENTAL PRACTICE

- b. Standard manufacturers' warranty policy applies to any delivery system installed in MCC cabinets. See manufacturers' warranty for details.
- c. 2 years for task light ballasts
- d. 2 years for Promotional mobiles

### EXCLUSIONS

MCC Dental's warranty does not include coverage for electrical components, plumbing accessories, sinks, and faucets. Warranties for these excluded items are provided by the manufacturer to the first purchaser, and any information on the warranties of these manufacturers will be available with the applicable products.

This limited warranty also does not cover:

- a. Any damage, in whole or in part, caused by misuse, negligence, abuse, change of business location, accident, freight damage, alteration, tampering or the failure to obtain repair or replacement during the warranty period
- b. Water damage
- c. Colour changes caused by artificial or natural light
- d. Products not properly installed, cleaned, used and maintained as instructed in the MCC Dental "installation" and/or "installation/operation" manual for the product
- e. Consumable products such as surge protection/light bulbs
- f. Components or products not manufactured by MCC Dental
- g. Components or products not purchased from MCC Dental or an authorized MCC Dental dealer
- h. Components or products that have been used directly or indirectly with unauthorized third-party products or parts
- i. Expenses and costs of maintenance, adjustment, repair or cleaning not expressly authorized by MCC Dental
- j. Representations or warranties made by anyone other than MCC Dental

MCC Dental is not responsible for costs and expenses relating to removal, installation, repainting, refinishing or any other costs beyond the replacement or repair of the warranted item.

MCC Dental does not warrant that a repaired or replaced item will have the exact same colour, grain, texture or finish as the original item.

### OBTAINING WARRANTY SERVICE

Warranty service must be obtained by MCC Dental or any MCC Dental authorized dealer where warranty service is requested. For more information on warranty service or issues, MCC Dental can be contacted by phone at 1-800-388-6236 or by email at [customerservice@mccdental.com](mailto:customerservice@mccdental.com).

### EXCLUSIVE REMEDY; LIMITED LIABILITY

The sole obligation of MCC Dental under this limited warranty is the replacement or repair of defective components or products to which this limited warranty applies.

The maximum liability of MCC Dental, together with its employees, contractors, suppliers, directors, officers, agents, resellers and dealers, to you is limited to the original purchase price you paid for the warranted product.

MCC Dental is not liable for and hereby disclaims any direct, indirect, incidental, consequential or exemplary damages or delays, including but not limited to, damages for loss of income, profit, downtime, employee or independent contractor payments, wages, benefits.

### OTHER

No claim or action may be brought against MCC Dental for breach of this limited warranty, an implied warranty, if any, or for any other claim arising out of or relating to the products, more than ninety (90) days following expiration of the limited warranty period to which the claim or action relates.

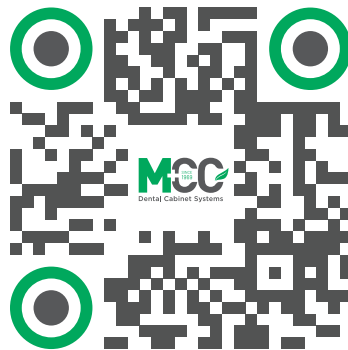
This limited warranty and any disputes arising out of or in connection with MCC Dental products shall be governed by the laws of the Province of Ontario and the laws of Canada applicable therein, and shall be in the exclusive jurisdiction of the courts located in the Province of Ontario.

If any provision of this limited warranty is invalid or unenforceable, the meaning of such provision will be construed, to the extent feasible, so as to render the provision valid and enforceable, and if no feasible interpretation would save such provision, it will be severed from the remainder of this limited warranty, which will remain in full force and effect.

MCC Dental reserves the right to modify or withdraw this limited warranty at any time without notice. Any such modification or withdrawal will not affect products installed and fully paid for prior to the date of such modification or withdrawal.



Dental Cabinet Systems



**TAILORED SOLUTIONS** FOR YOUR DENTAL PRACTICE

*Custom Cabinets • Sterilization Centers • Rear Cabinets • Side Cabinets  
Center Island Units • Mobiles • Orthodontic Mobiles • Lab Cabinets • Pediatric Benches*

1-800-388-6236 | [www.mccdental.com](http://www.mccdental.com)

